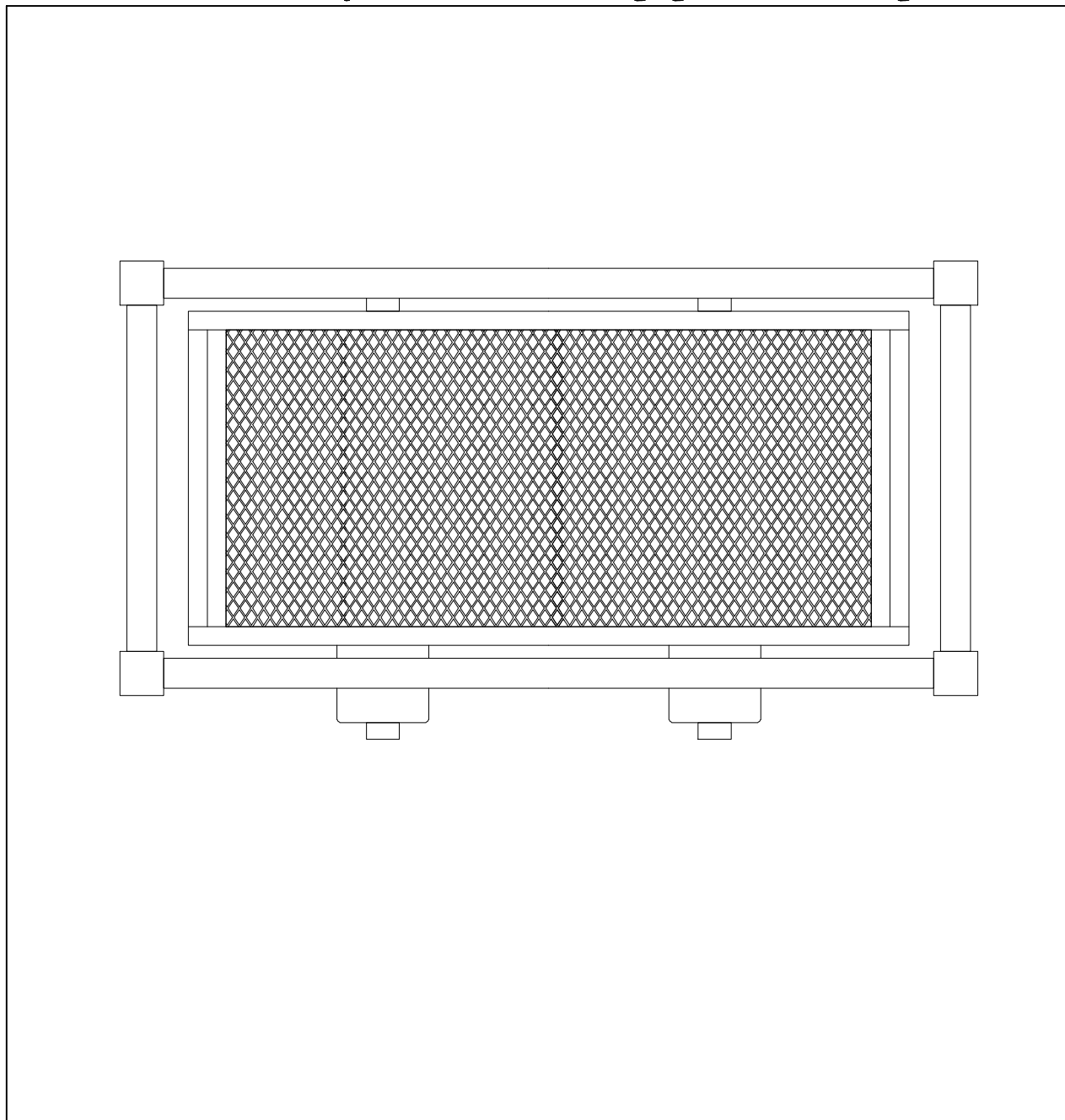




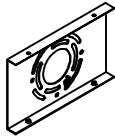
PRODUCT NAME: Refine 2lt wall sconce
ITEM NUMBER: 12152

Please consult your electrician for hanging fixture and wiring.



Bulb(not included): 2-60 Watt Medium Base Bulbs

IMPORTANT: Turn off the power at the main fuse or circuit breaker box before starting installation



A
Mounting bracket (1pc)

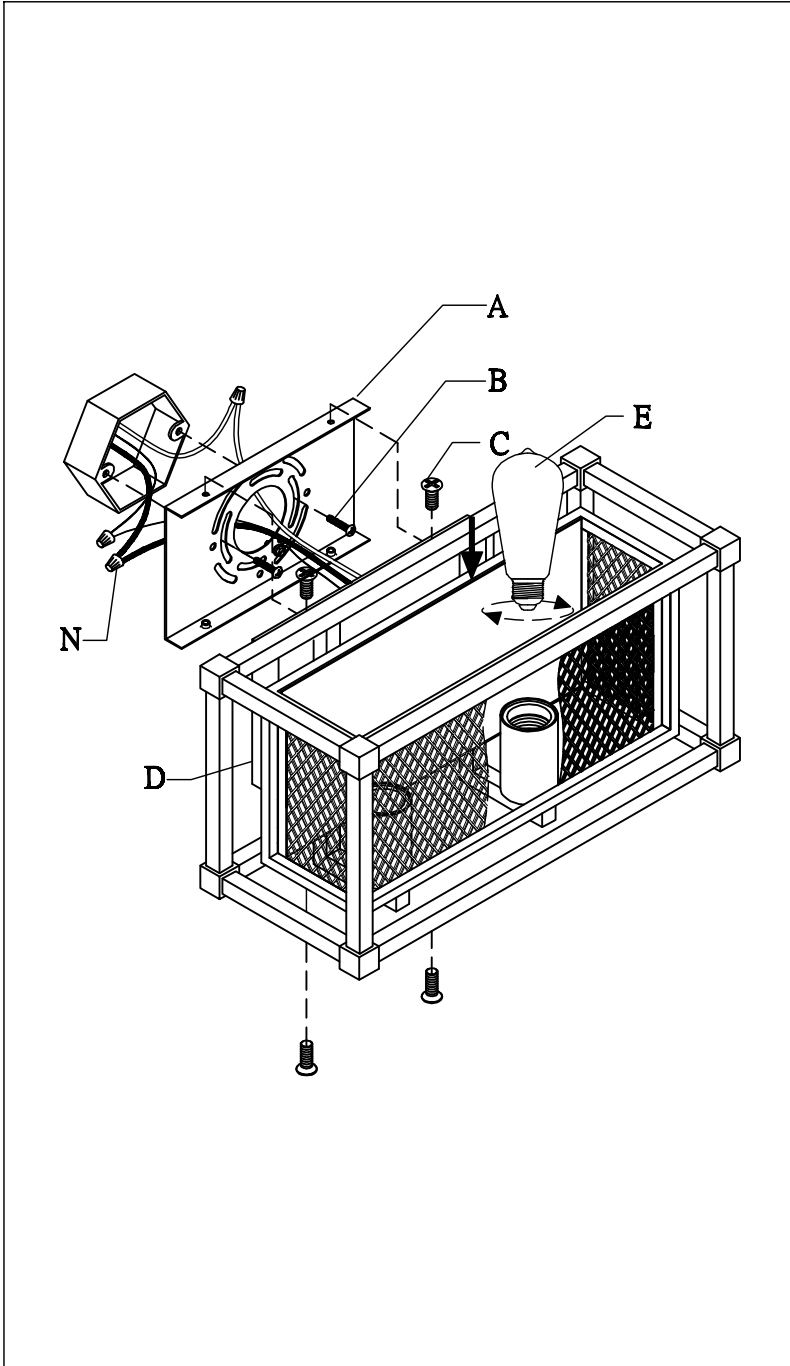


B
Screw(2pcs)

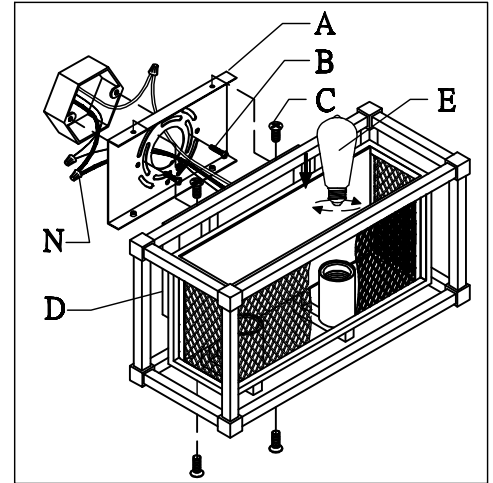


C
Screw(4pcs)

Locate all hardware & components before discarding packaging



1.)



Step.1: Remove mounting bracket (A) from fixture and install to electrical box. Then wire fixture to wires in outlet box. Copper wire is for Ground. Attach backplate(D) to mounting bracket(A) and screws (B), then tighten by screw(C), so fixture meets wall.

Remark: We have not included the bulb, but we keep the space to put the bulb for our package

Cleaning & Care:

Clean with soft cloth and a mild detergent.
Do not use abrasive cleaner.