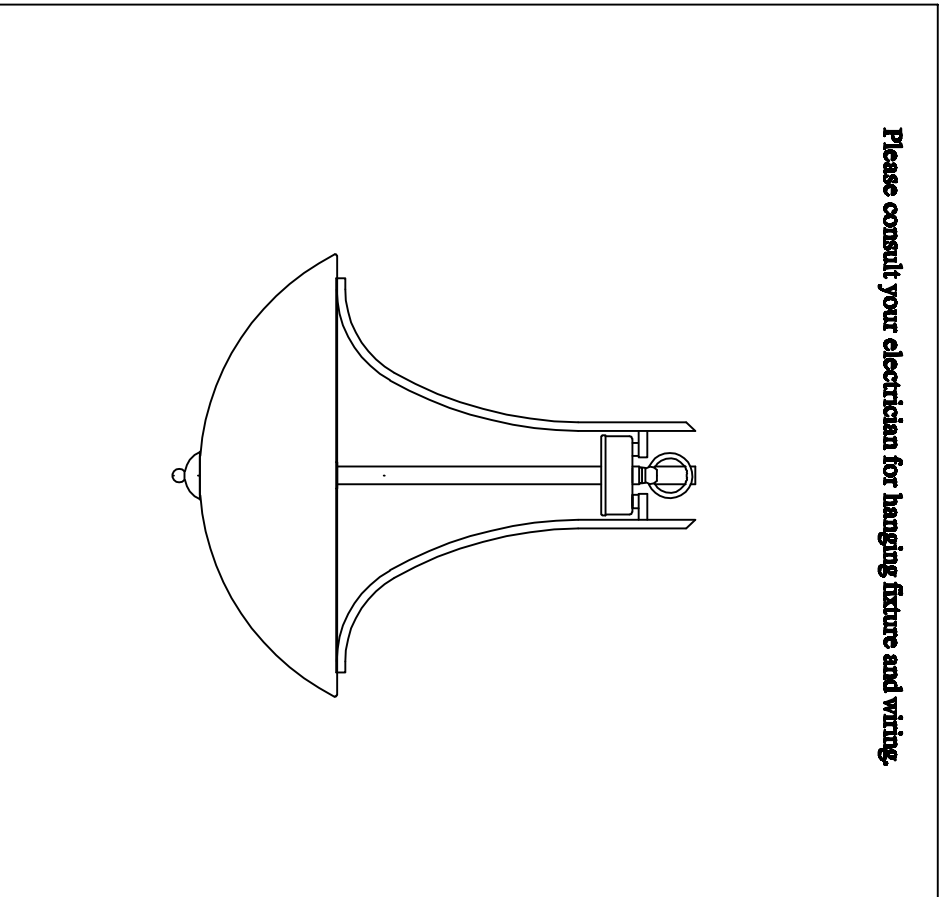


PRODUCT NAME : Taylor 3 Light Pendant
ITEM NUMBER : 21654

Please consult your electrician for hanging fixture and wiring.



3-#E26-#60W (NO INCLUDED BULB)

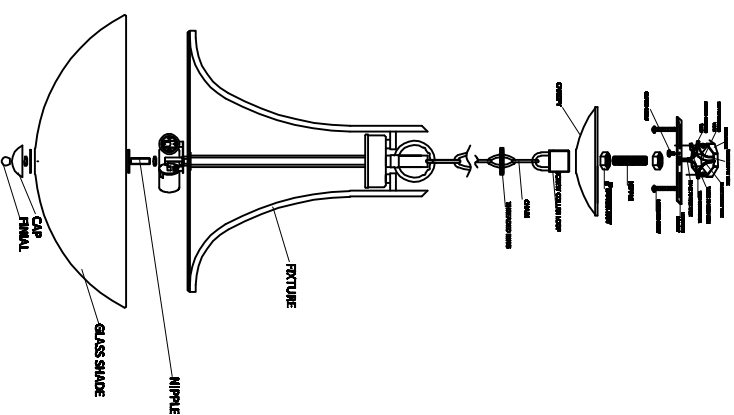
Locate all hardware & components before discarding packaging
Cleaning & Care:
Clean with soft cloth and a mild detergent.
DO not use abrasive cleaner.

PRODUCTS ARE NOT INTENDED FOR COMMERCIAL USE.

MADE IN CHINA
Page 1 of (2)

PRODUCT NAME : Taylor 3 Light Pendant
ITEM NUMBER : 21654

CAUTION: Turn off the main power at the circuit breaker before installing and servicing the fixture to prevent possible injury from electric shock.
All electrical connections must be in accordance with local and National Electrical Code (N.E.C.) standards. If you are unfamiliar with proper electrical wiring connections, obtain the services of a qualified electrician.



1. Remove MOUNTING BRACKET from fixture and install to electrical box. HEX NUTS are pre-set and can be adjusted for installation. Press CANOPY to ceiling so it is flush and SCREW COLLAR LOOP is aligned to the midpoint of the threads where it meets the canopy surface.
2. Attach appropriate amount of CHAIN to FIXTURE LOOP to achieve desired mounting height. Thread wire through every 3rd loop of chain.
3. Remove THREADED RING from the SCREW COLLAR LOOP and slide down CHAIN. Place CANOPY onto CHAIN and install CHAIN to SCREW COLLAR LOOP. Use THREADED RING to make CANOPY flush with the ceiling.
4. Wire fixture to wires in outlet box. Ribbed wire is NEUTRAL, smooth wire is LIVE (POSITIVE), bare wire is GROUND.
5. Install bulbs to fixture according to fixture's max. wattage rating label.
6. Align GLASS with NIPPLE and install using CAP and FINIAL to secure.

PRODUCTS ARE NOT INTENDED FOR COMMERCIAL USE.

MADE IN CHINA
Page 2 of (2)