



PRODUCT NAME: Twirl
ITEM NUMBER: 22007

Please consult your electrician for hanging fixture and wiring.



Bulb(not included): 3X 60 watt max candelabra bulb

PRODUCTS ARE NOT INENDED
FOR COMMERCIAL USE.

MADE IN CHINA

Page 1 of (4)

IMPORTANT: Turn off power at the main fuse or circuit breaker box before starting installation



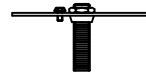
(A) Canopy



(B) Hanger Loop Ring

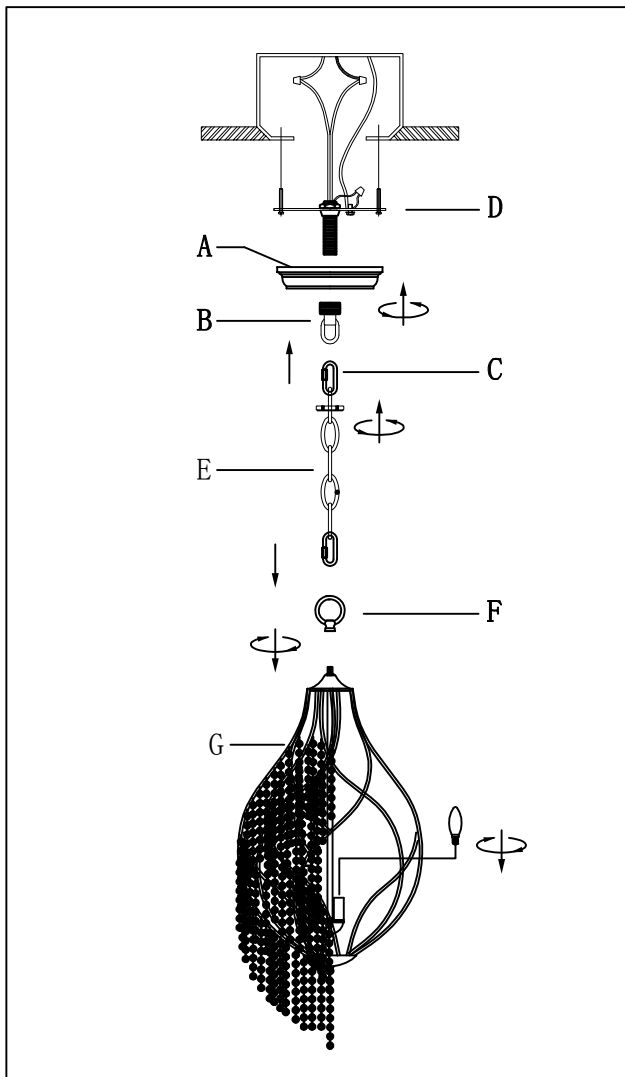


(C) Chain link

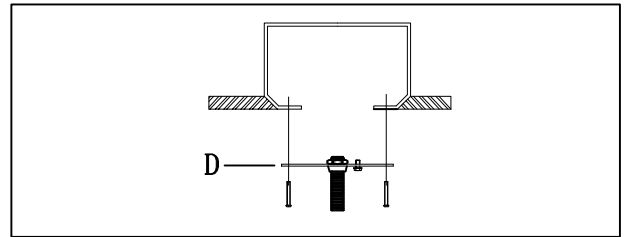


(D) Mounting bracket Nipple

Locate all hardware & components before discarding packaging

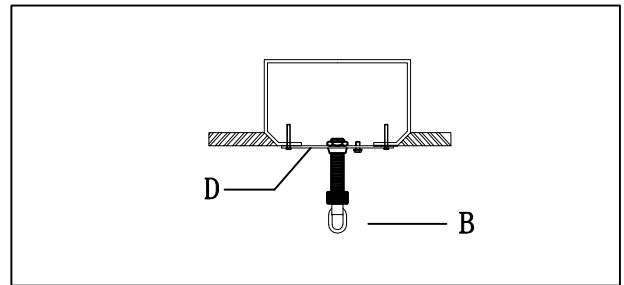


1.)



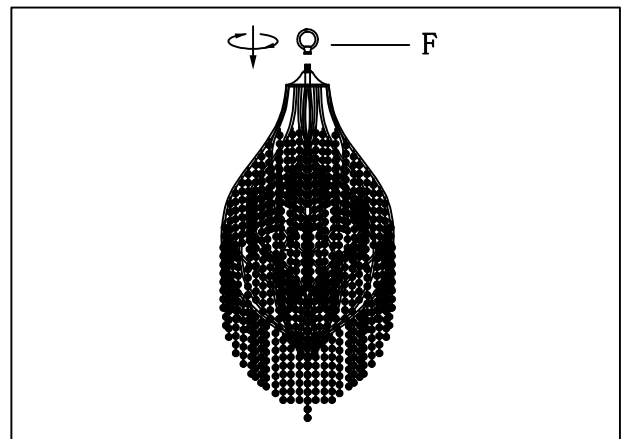
Step. 1: Install mounting bracket (D) to outlet box.

2.)



Step. 2: Attach hanger loop (B) to nipple on mounting bracket (D).

3.)



Step. 3: Install top loop (F) onto fixture.

Cleaning & Care:

Clean with soft cloth and a mild detergent.
Do not use abrasive cleaner.

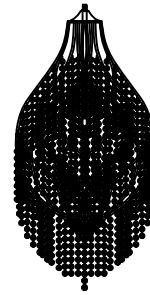
IMPORTANT: Turn off power at the main fuse or circuit breaker box before starting installation



(E) Chain

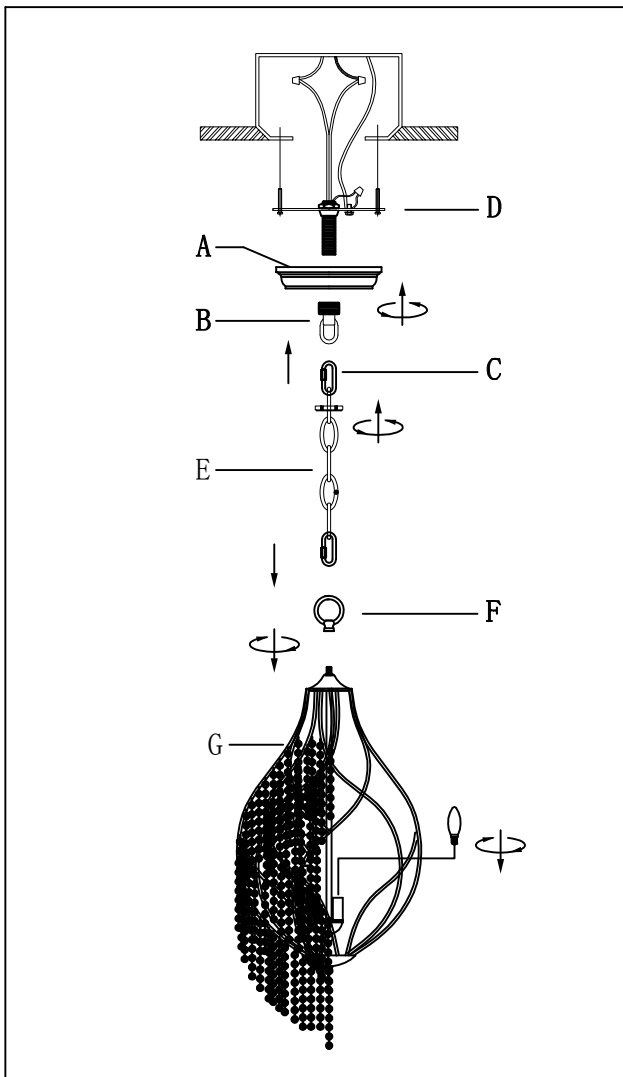


(F) Top loop

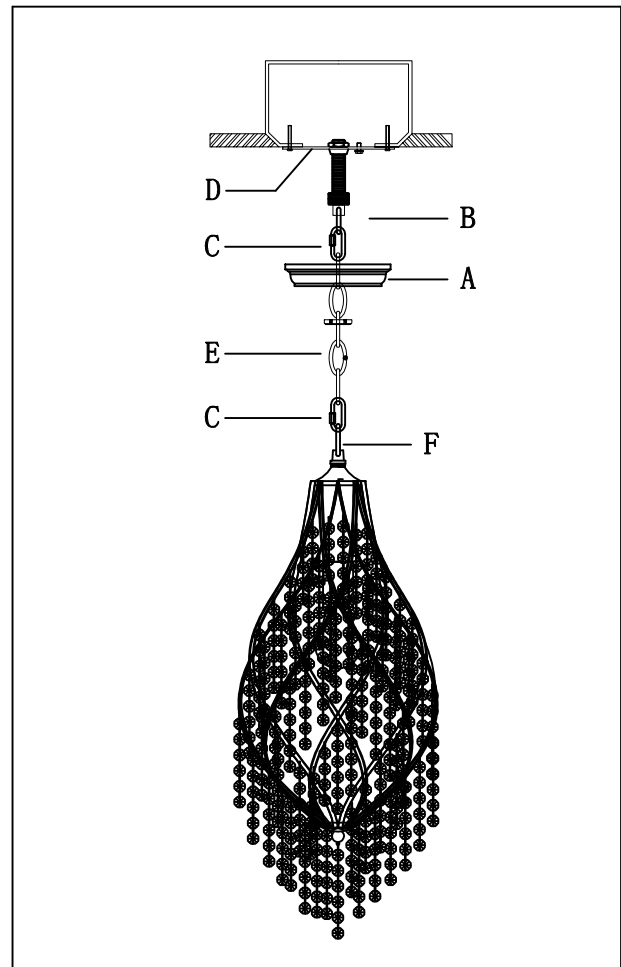


(G) Body

Locate all hardware & components before discarding packaging



4.)



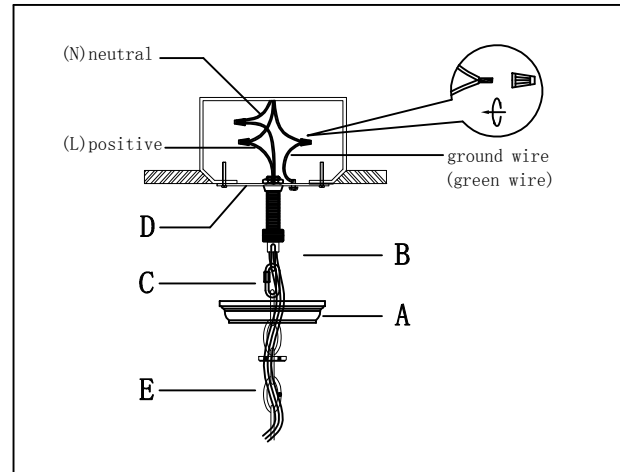
Step. 4: Remove ring from hanger loop (B) and open chain link (C) to attach appropriate amount of chain to loop to achieve desired mounting height. Make sure canopy is above hanger loop ring.

Cleaning & Care:

Clean with soft cloth and a mild detergent. Do not use abrasive cleaner.

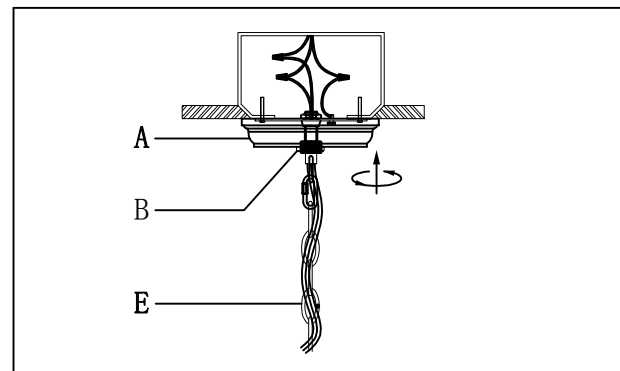
IMPORTANT: Turn off power at the main fuse or circuit breaker box before starting installation

5.)



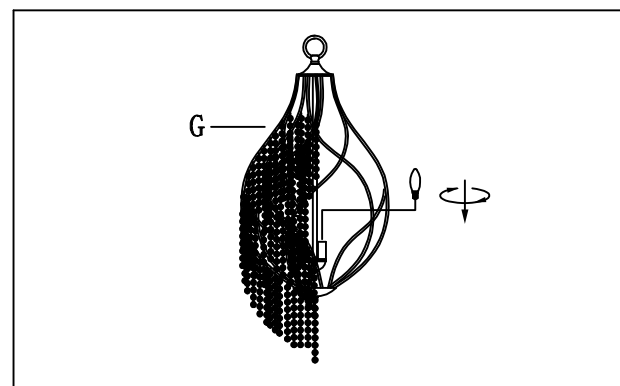
Step. 5: Thread wire through every 3rd loop of chain. Wire fixture to wires outlet box. Copper/silver wire is for Ground.

6.)



Step. 6: Slide canopy (A) up to ceiling and secure with hanger loop ring (B).

7.)



Step. 7: Install max 60 watt candelabra bulb(not included) into socket.

Cleaning & Care:

Clean with soft cloth and a mild detergent.
Do not use abrasive cleaner.