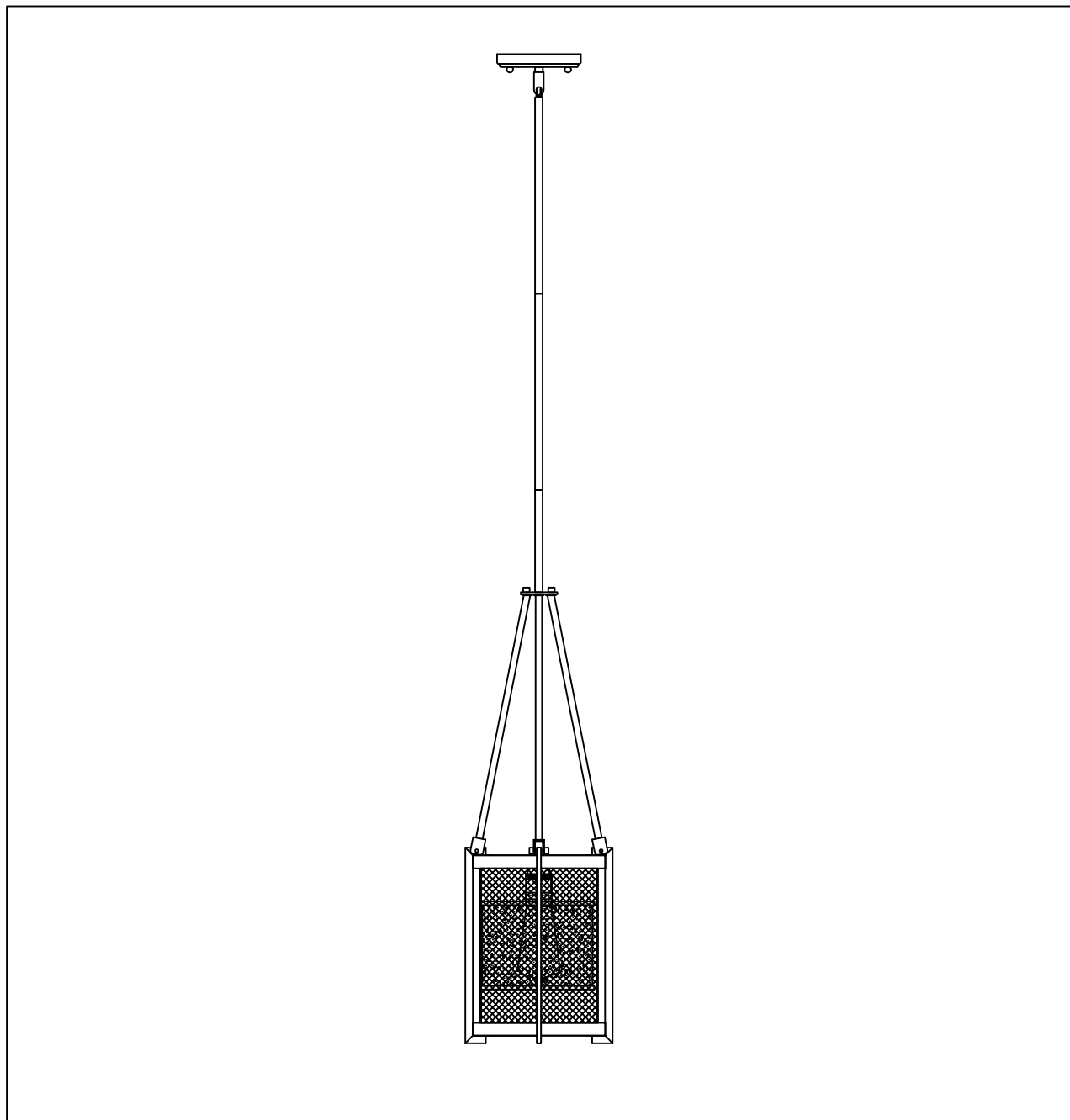




PRODUCT NAME: Boundry 1LT Pendant  
NUMBER: 27563BKBWAB

Please consult your electrician for Hang fixture and wiring.



Bulb(not included) :1\*MB 60W

MADE IN CHINA

Page 1 of (3)

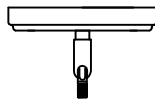
**IMPORTANT:** Turn off power at the main fuse or circuit breaker box before starting installation



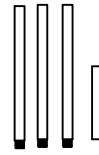
(A) Bracket



(B) Ball nut



(C) Canopy

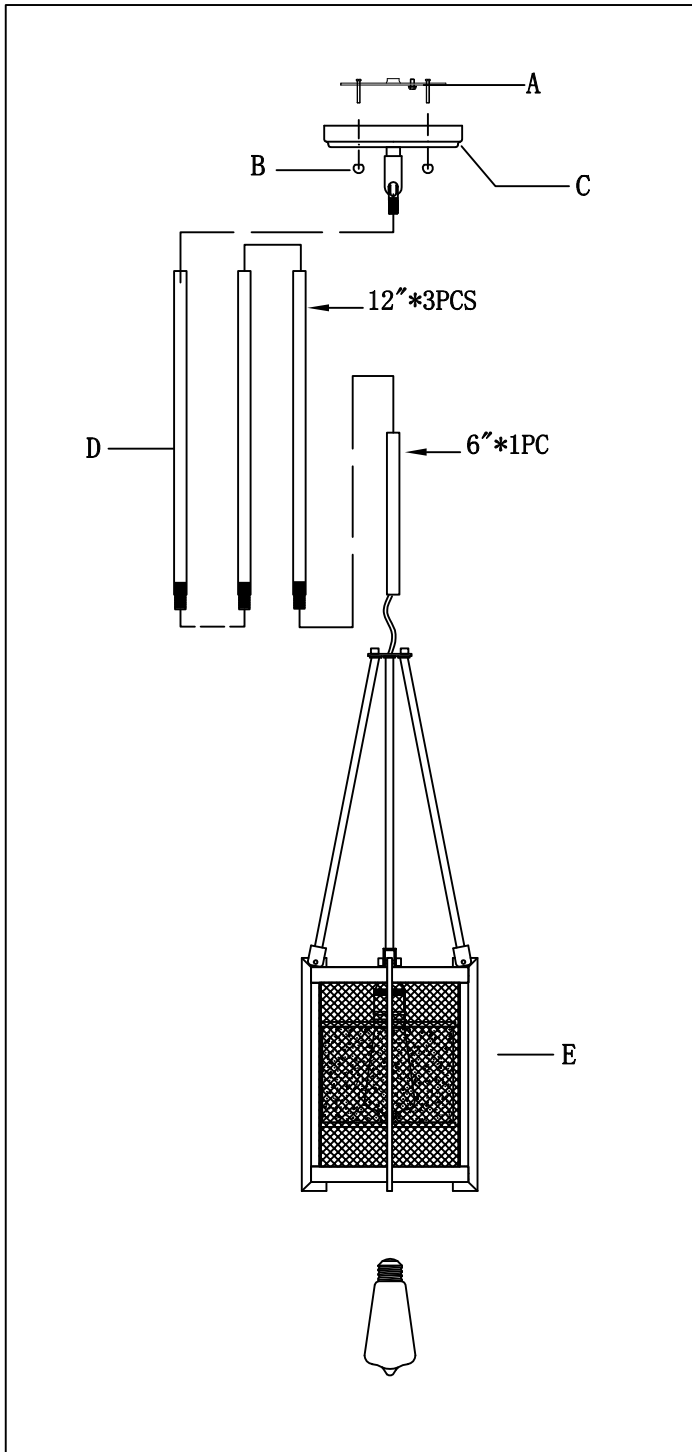


(D) Stem

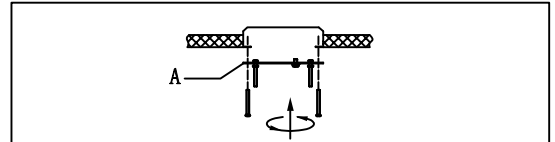


(E) Body

**Locate all hardware & components before discarding packaging**

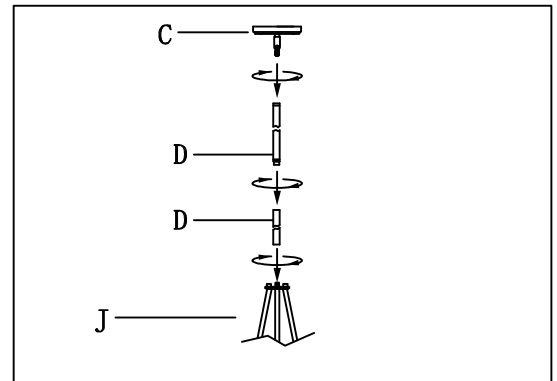


1.)



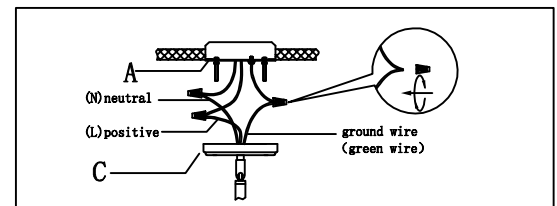
**Step. 1:** Remove mounting bracket (A) from fixture and install to electrical box.

2.)



**Step. 2:** Run wire through stems (D) and combine stem lengths to meet desired mounting height.

3.)



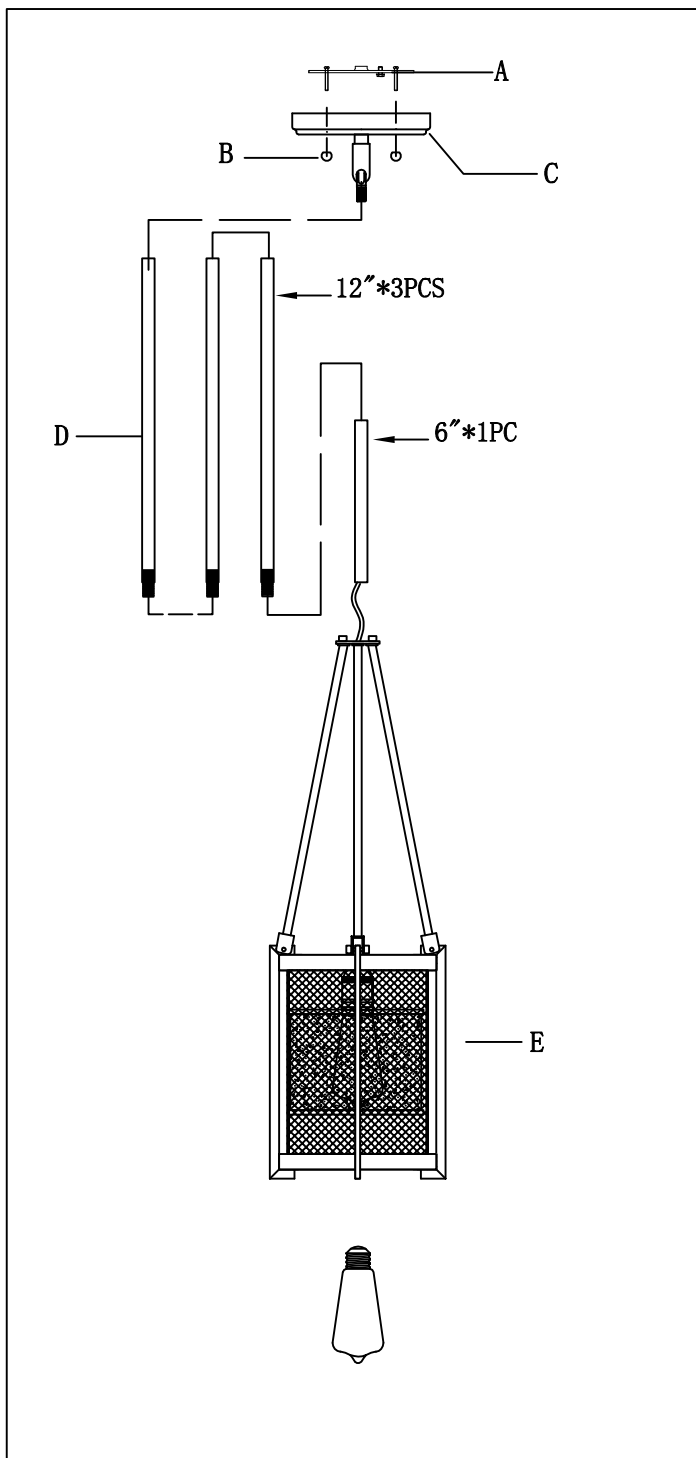
**Step. 3:** Wire fixture to wires in outlet box. Copper/Green wire is for Ground.

**Cleaning & Care:**

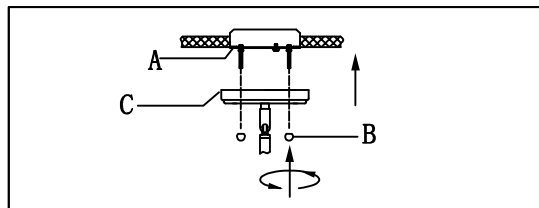
Clean with soft cloth and a mild detergent.  
Do not use abrasive cleaner.

**IMPORTANT:** Turn off power at the main fuse or circuit breaker box before starting installation

Locate all hardware & components before discarding packaging

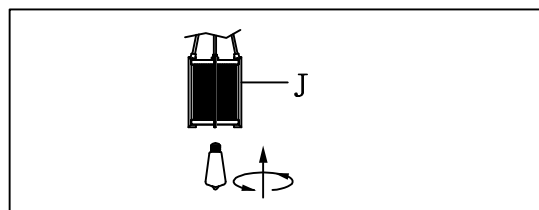


4.)



**Step. 4:** Install fixture to bracket and tighten ball nuts (B) on the canopy to secure.

5.)



**Step. 5:** Install the bulb.

**Cleaning & Care:**

Clean with soft cloth and a mild detergent.  
Do not use abrasive cleaner.