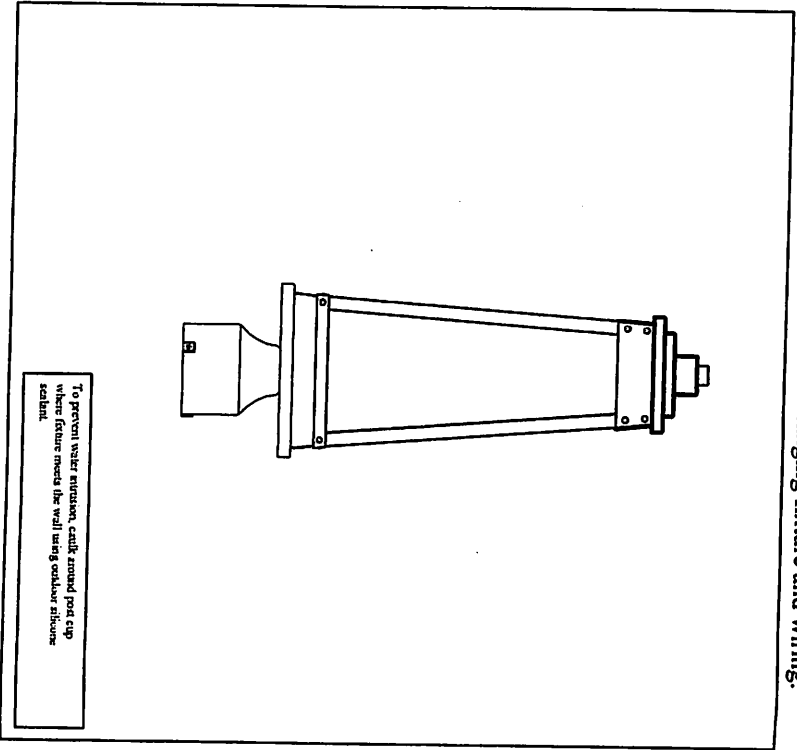




PRODUCT NAME: Schooner 1-Light Outdoor Post Lamp  
ITEM NUMBER: 3041

Please consult your electrician for hanging fixture and wiring.

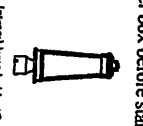
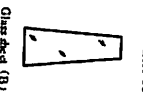
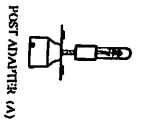


To prevent water intrusion, seal around post cap when fixture meets the wall using outdoor silicone sealant.

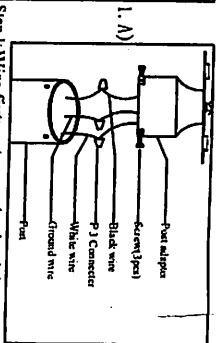
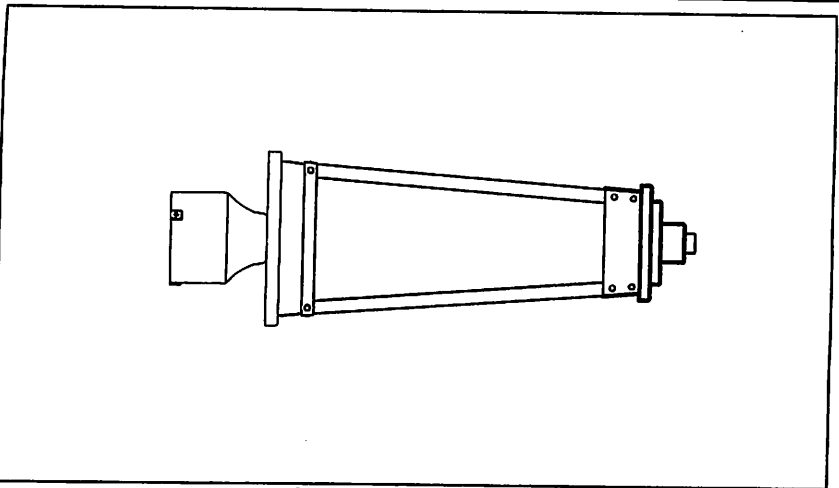
60W E26

MADE IN CHINA  
Page 1 of (2)

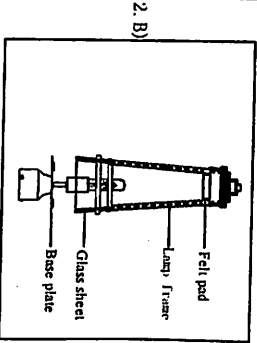
**IMPORTANT:** Turn off the power at the main fuse or circuit breaker box before starting installation.



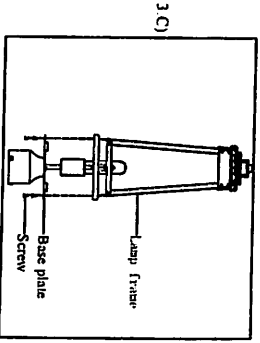
Locate all hardware & components before discarding packing.



Step 1: Wire fixture to supply circuit in the post mount.



Step 2: Insert Glass sheet into Lamp frame.



Step 3: Secure Base plate to Lamp frame with Screw.

**Cleaning & Care:**  
Clean with soft cloth and a mild detergent.  
Do not use abrasive cleaner.

Page 2 of (2)