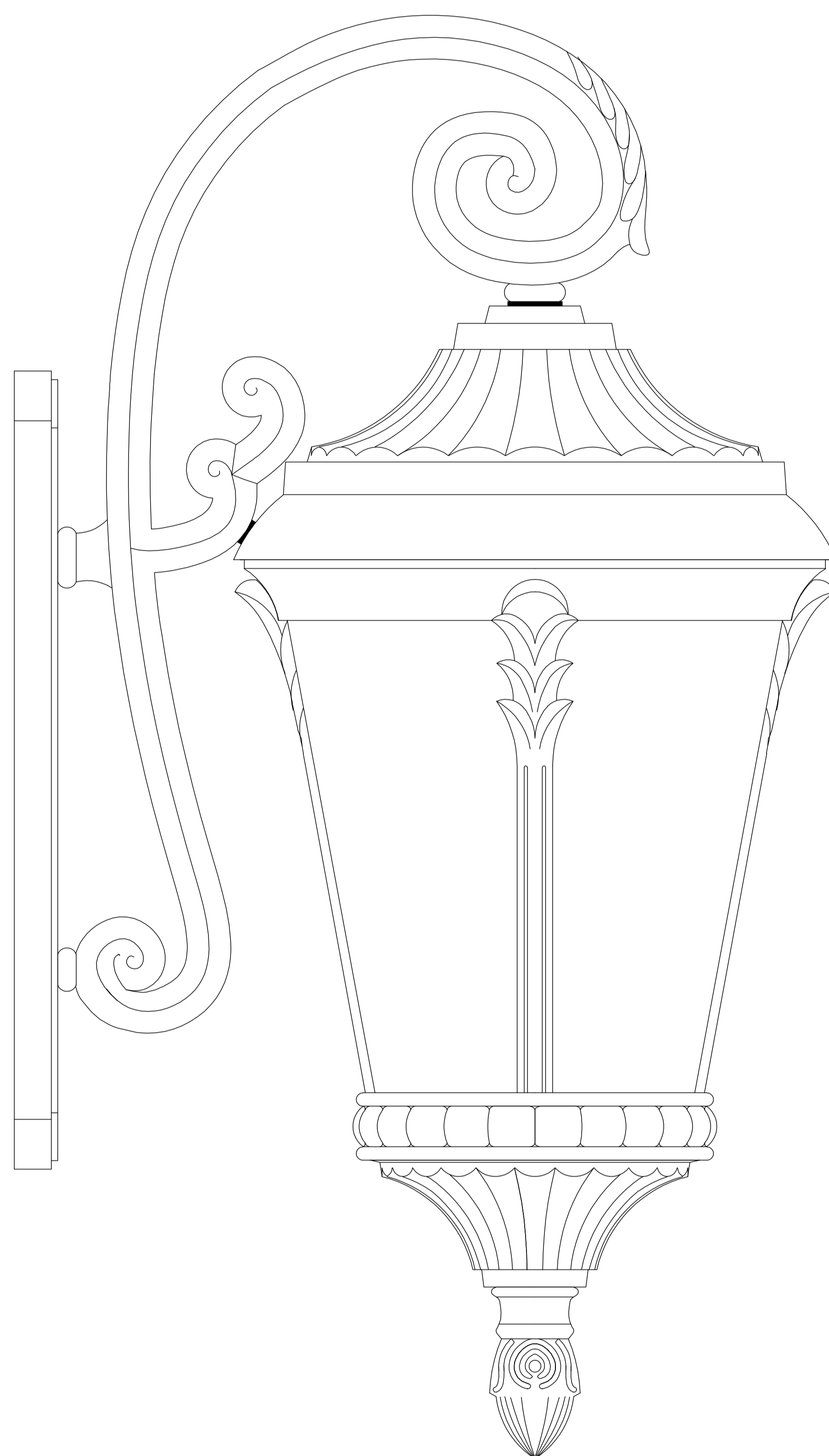




PRODUCT NAME: Sentry
ITEM NUMBER: 3055

Please consult your electrician for hanging fixture and wiring.



To prevent water intrusion, caulk around back-plate where fixture meets the wall using outdoor silicone sealant. Leave a small gap at the bottom to allow moisture to exit.

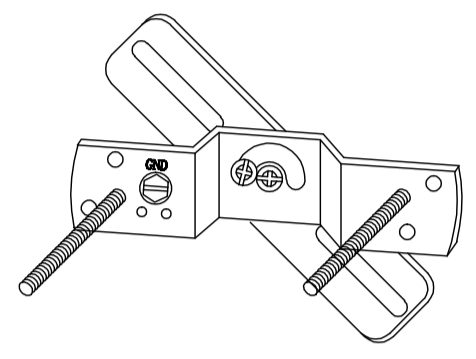
Bulb(not included): 3 × 40W CA E12

MADE IN CHINA

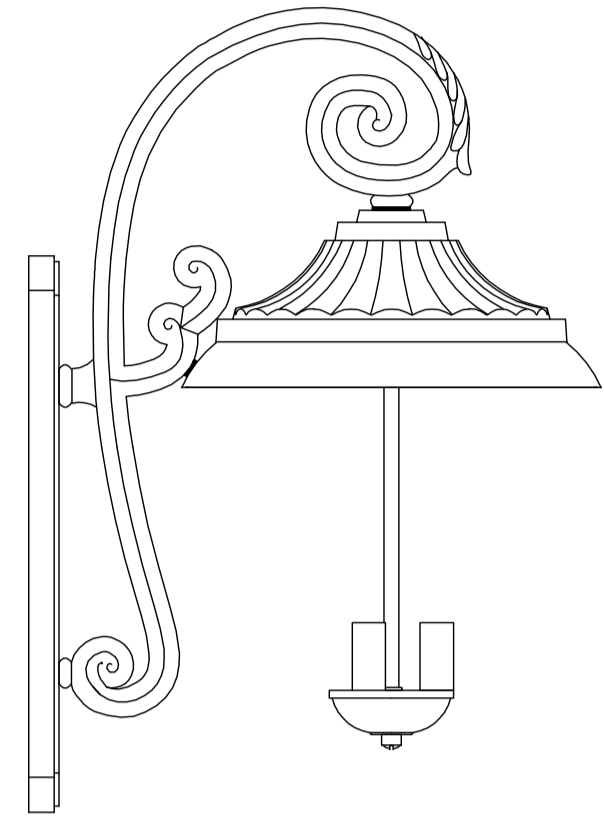


PRODUCT NAME: Sentry
 ITEM NUMBER: 3055

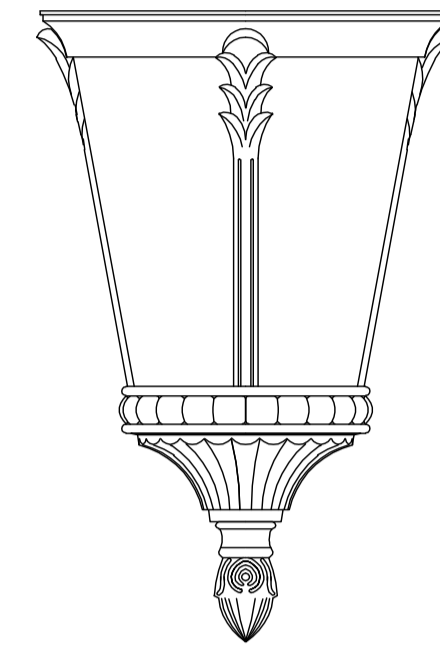
IMPORTANT: Turn off the power at the main fuse or circuit breaker box before starting installation.



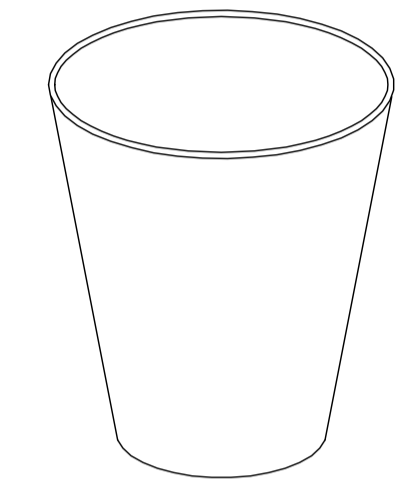
Bracket (A)



Fixture (B)



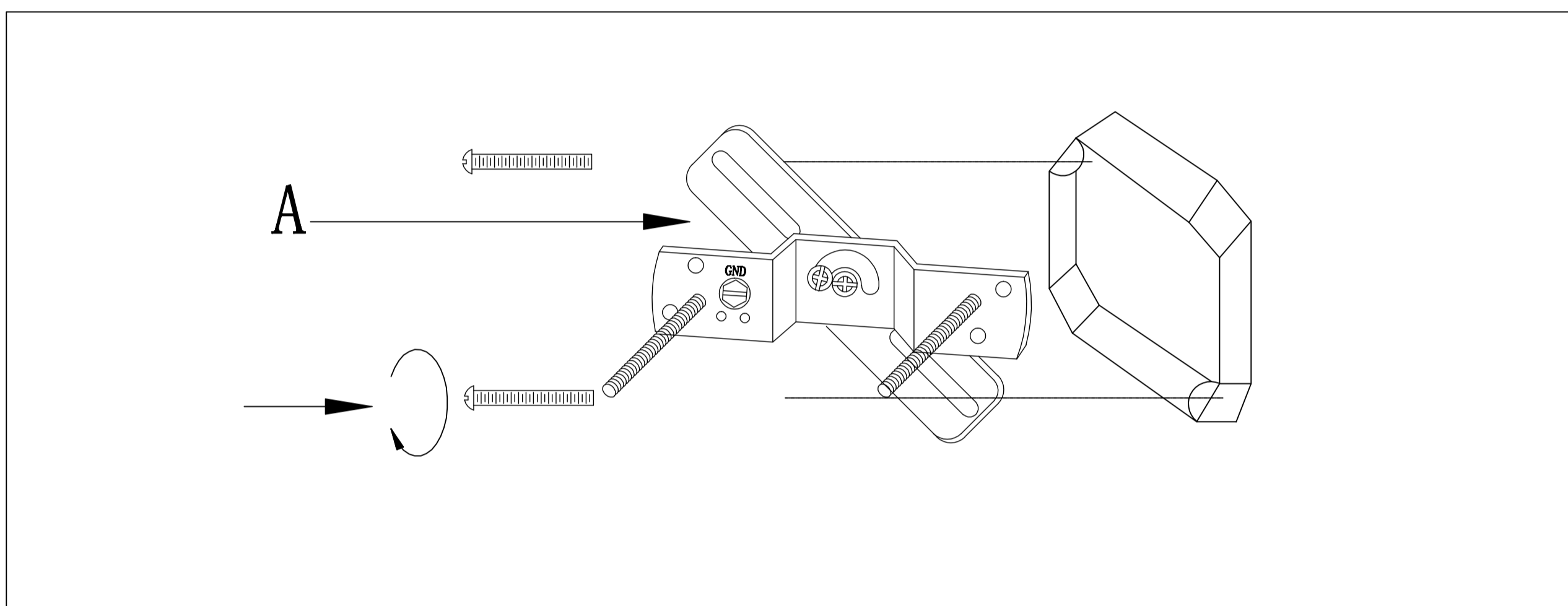
Cage (C)



Glass shade (D)

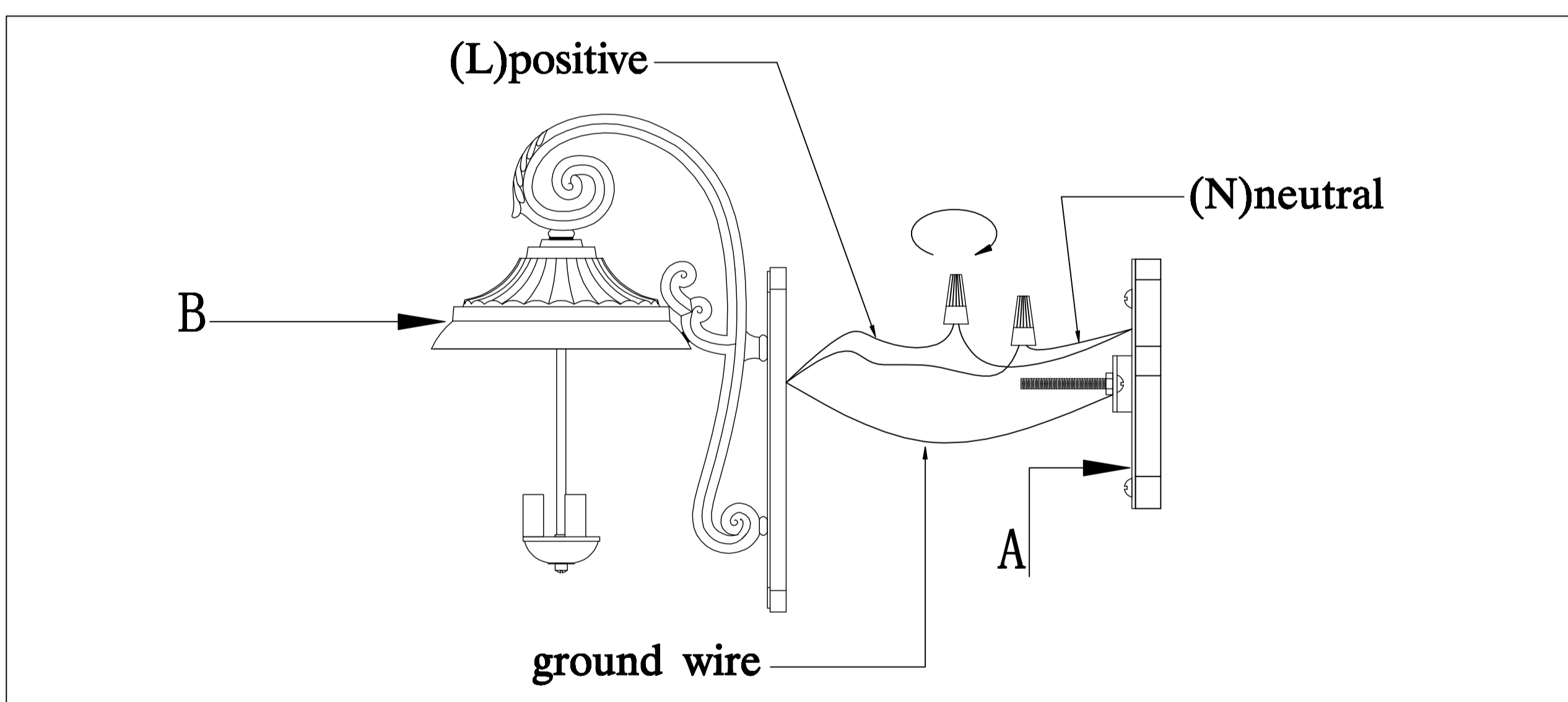
Locate all hardware & components before discarding packaging

1.)



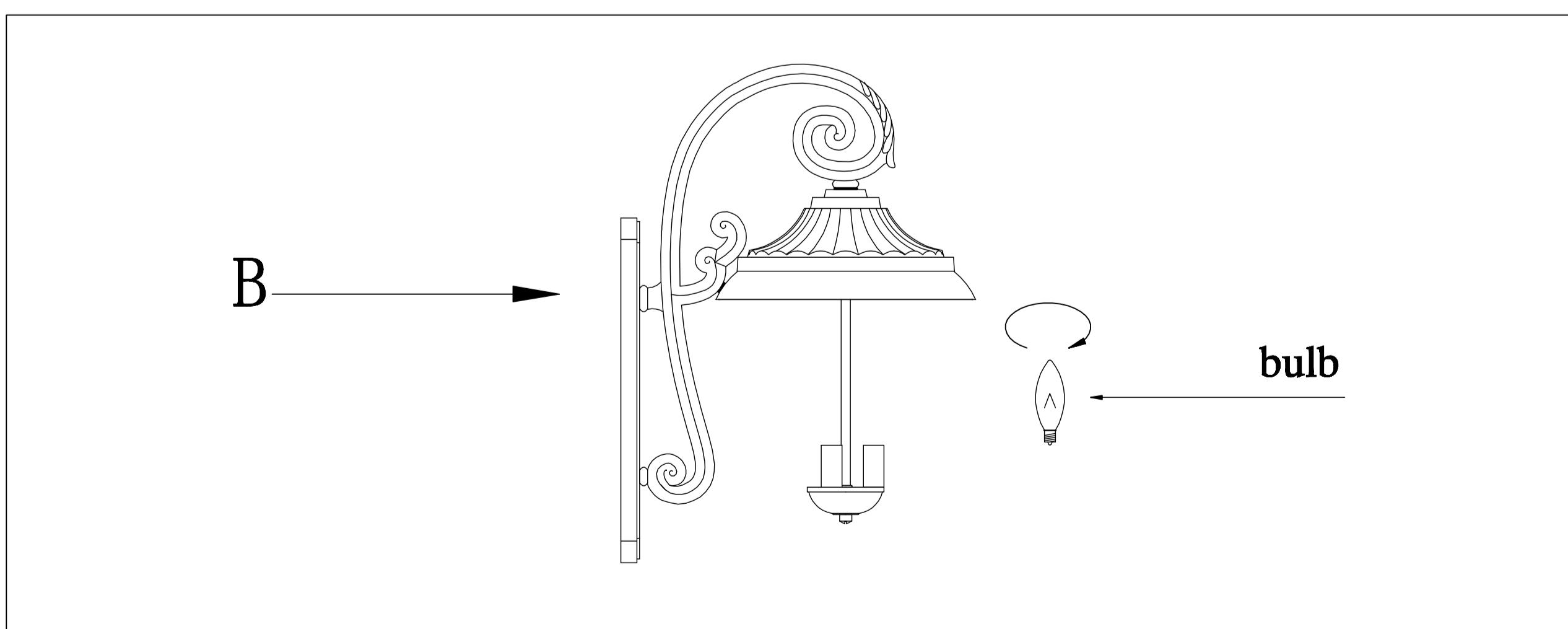
Step.1: Remove mounting bracket from fixture(B) and install to electrical box. then wire fixture to wires in outlet box. Copper wire is for Ground.

2.)



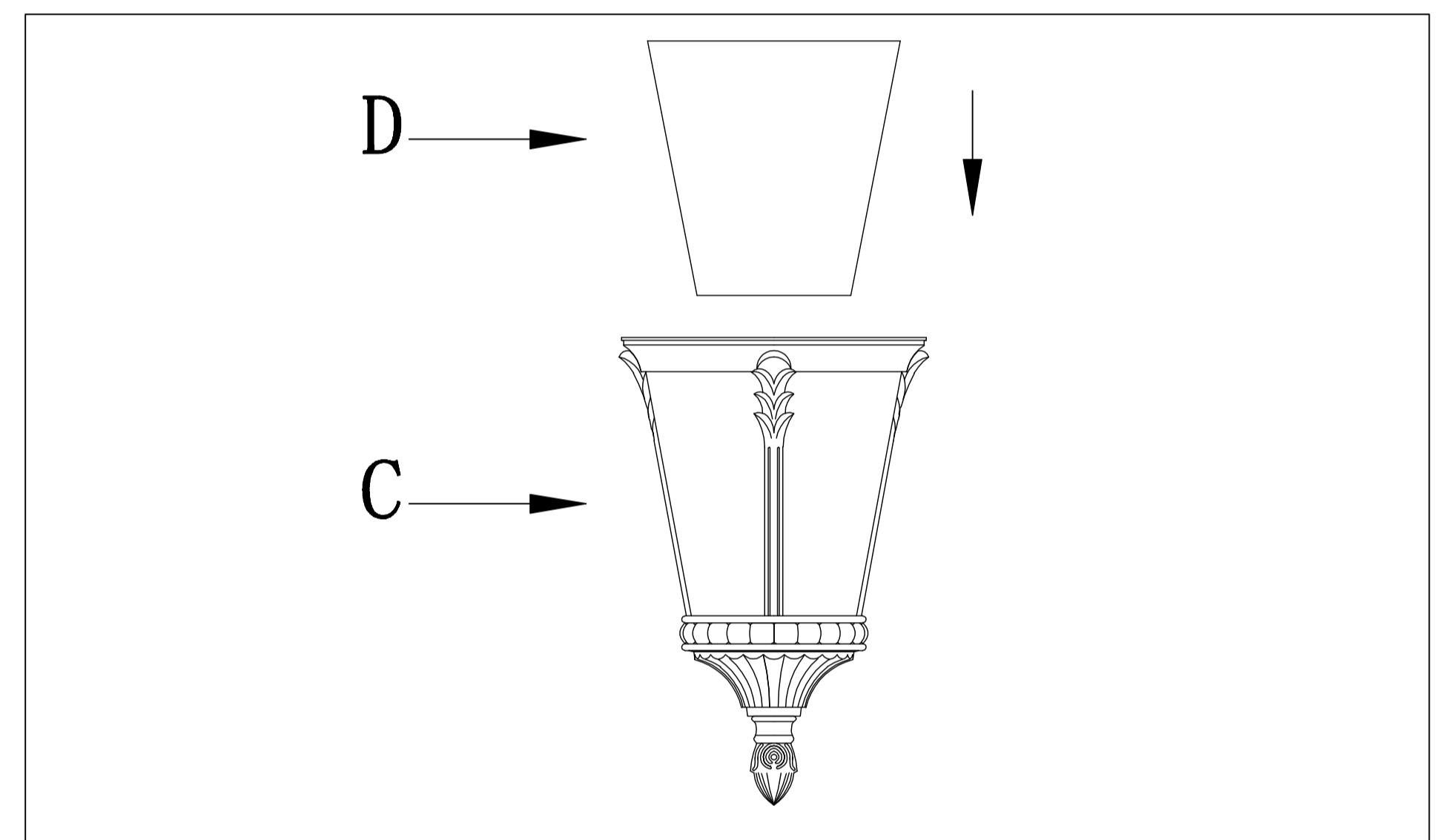
Step.2: Attach back plate to mounting bracket and tighten ball nuts so fixture meets wall. Caulk fixture where back plate meets the wall with silicone sealant.

3.)



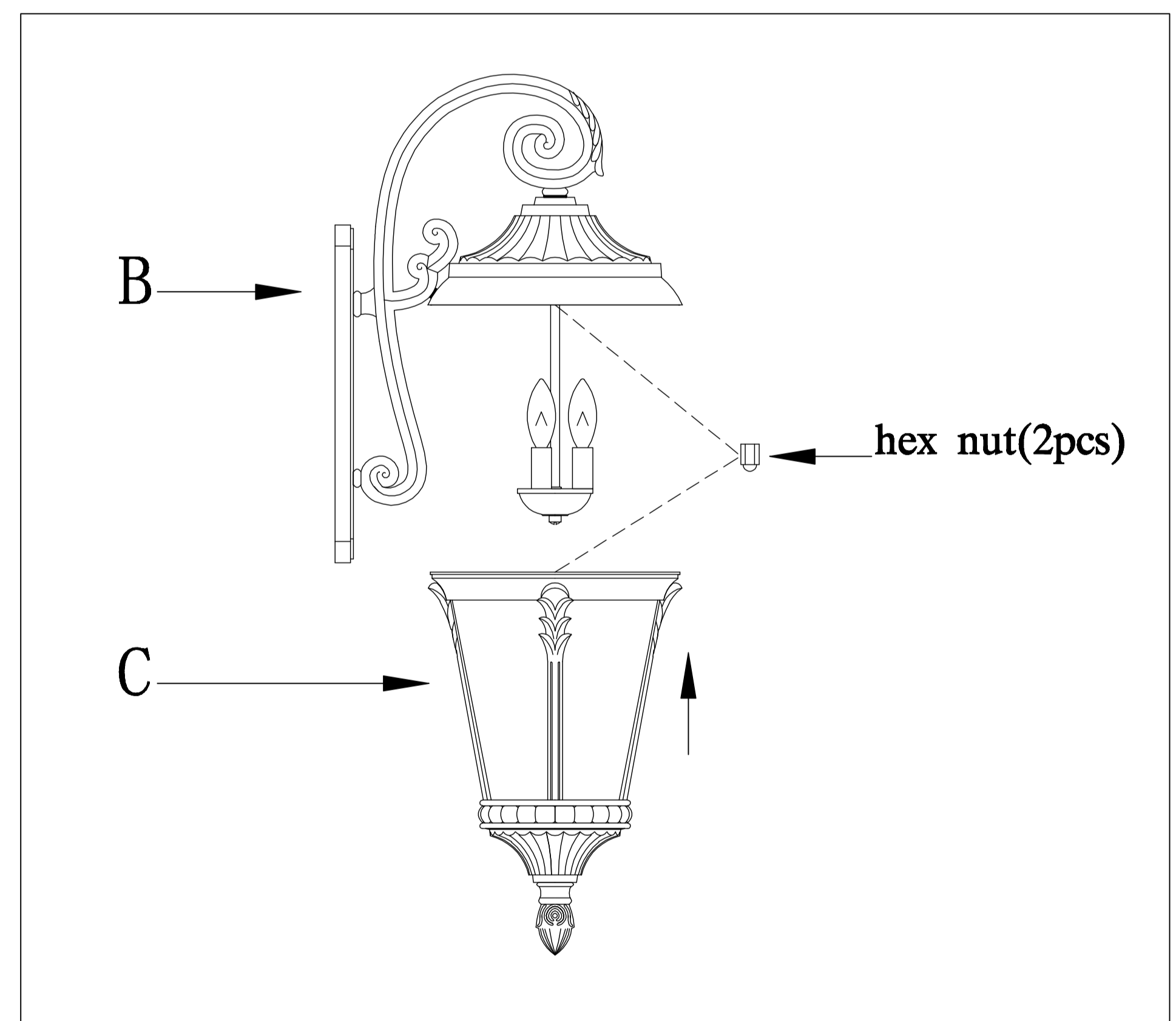
Step.3: Install CA bulbs(3pcs)

4.)



Step.4: Install the glass shade(D) into the cage(C)

5.)



Step.5: Attach cage(C) to fixture , using hex nuts .

Cleaning & Care:

Clean with soft cloth and a mild detergent. Do not use abrasive cleaner.

MADE IN CHINA