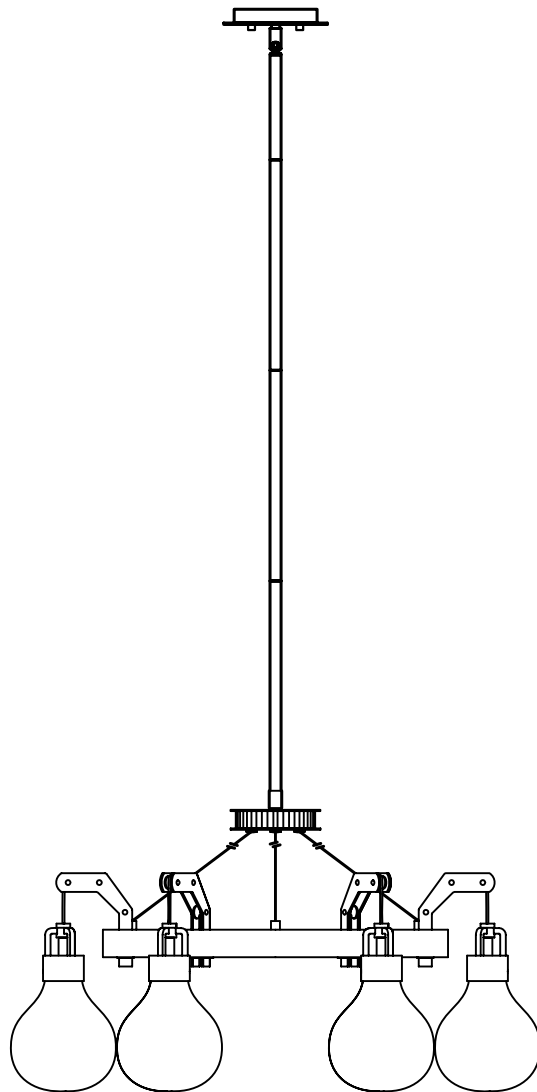




PRODUCT NAME : Kinetic LED 6-Light Pendant
ITEM NUMBER: 39695CLDSN

Please consult your electrician for hanging fixture and wiring.



The fixture is designed to dim with a standard Triac forward phase dimmer. Dimming levels will vary by dimmer.

Below is a list of recommended dimmers:

Voici une liste de variateur recommandé :

Lutron MACL-153M

Lutron DVL-153P

Lutron SCL-153P

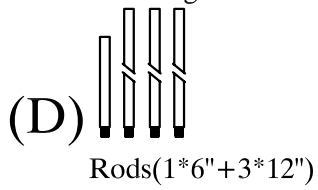
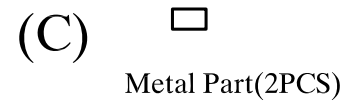
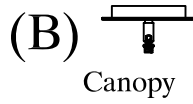
Leviton IPL06-10Z

Leviton 6674-POW

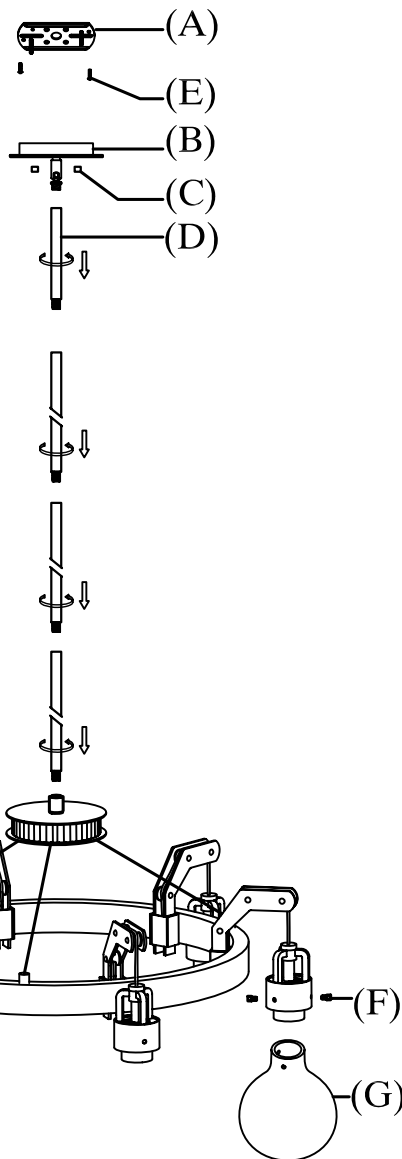
Due to inrush current wattage should not exceed 150 watts of product for a 600 watt dimmer.

Bulb(included) 6-PCB-6W

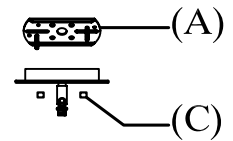
IMPORTANT: Turn off the power at the main fuse or circuit breaker box before starting installation



Locate all hardware & components before discarding packaging

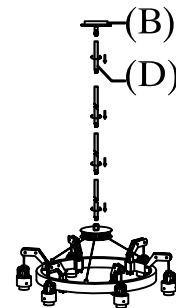


1.)



step1: Remove mounting bracket from canopy.


2.)



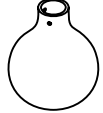
step2: Carefully remove packaging from fixture. Run wire through stems (D) and combine stem lengths to meet desired mounting height. Then attach canopy (B) to fixture.

Cleaning & Care:
Clean with soft cloth and a mild detergent.
Do not use abrasive cleaner.

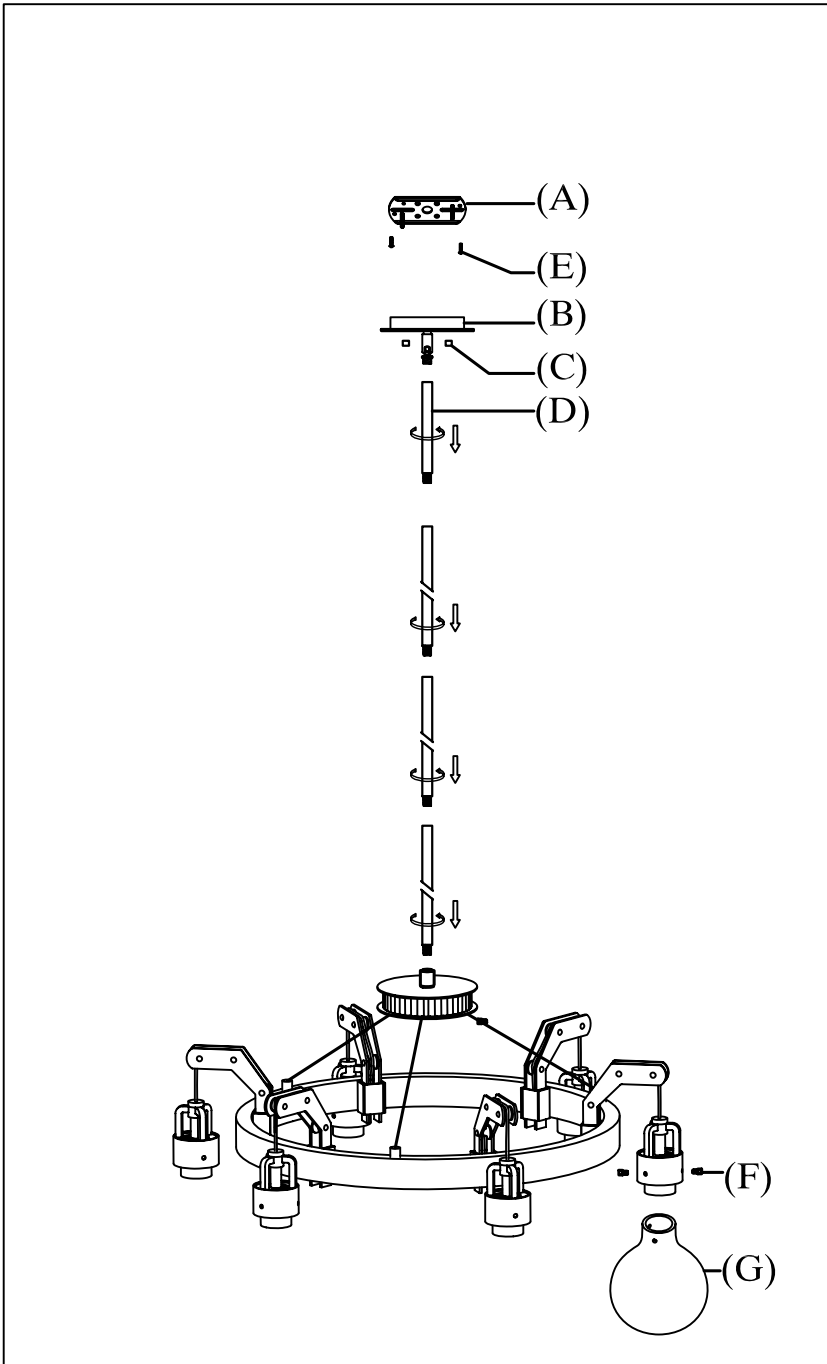
IMPORTANT: Turn off the power at the main fuse or circuit breaker box before starting installation

(E) 
Canopy (2PCS)

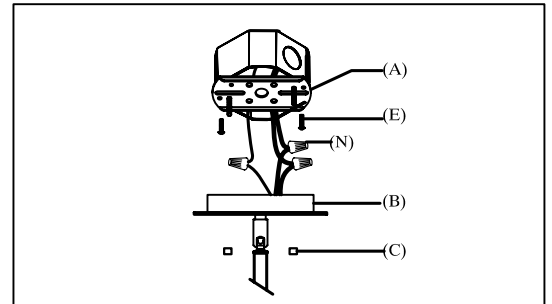
(F) 
Anchor(18PCS)

(G) 
Glass Shade(6PCS)

Locate all hardware & components before discarding packaging

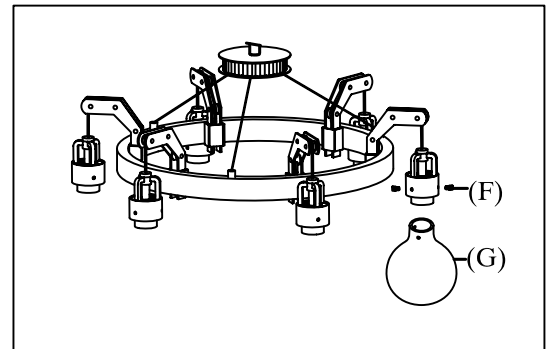


1.)



step3: Install fixture to bracket and tighten ball nuts at the ends of the canopy to secure.

2.)



step4: Lock the glass shade(G) with screws(F)

Cleaning & Care:
Clean with soft cloth and a mild detergent.
Do not use abrasive cleaner.