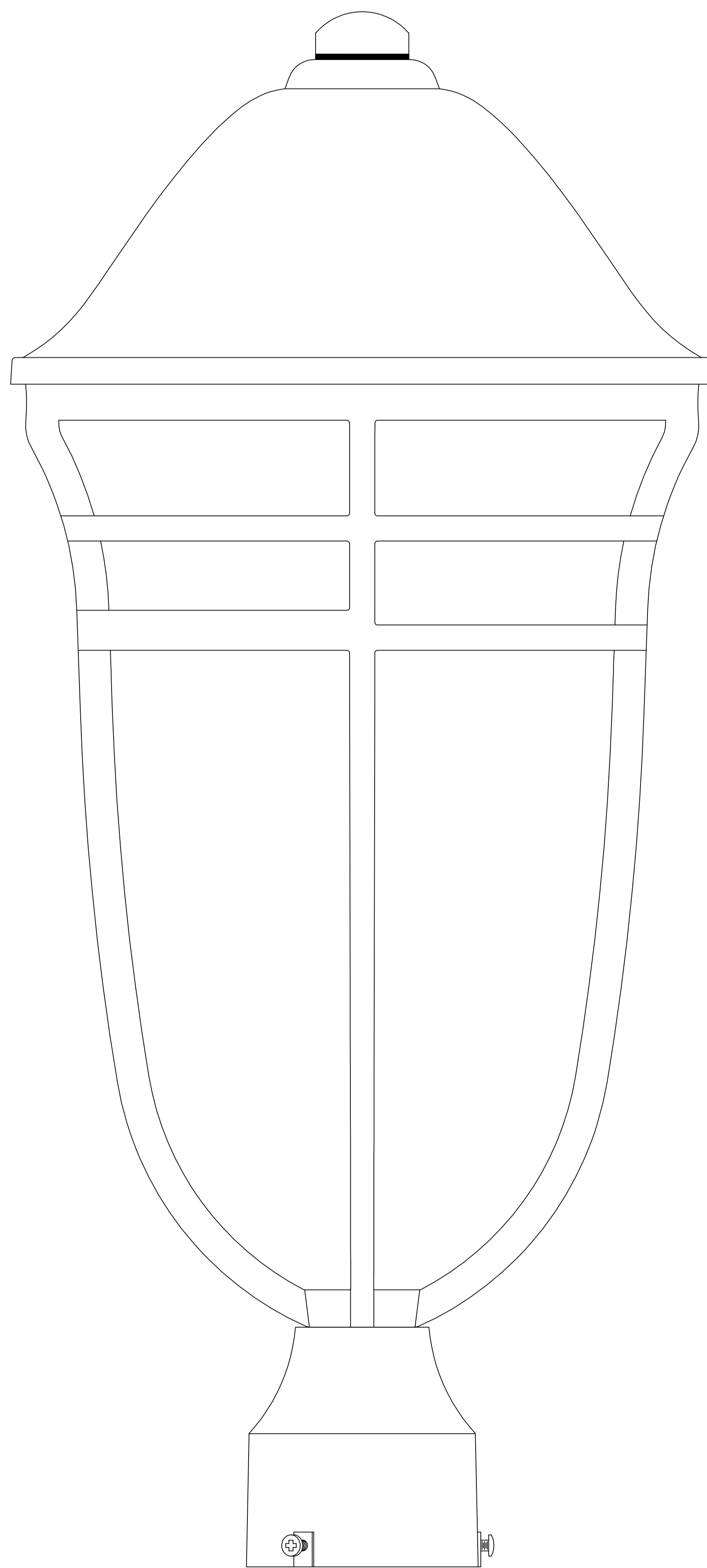




PRODUCT NAME: Westport
ITEM NUMBER: 84100

Please consult your electrician for hanging fixture and wiring.



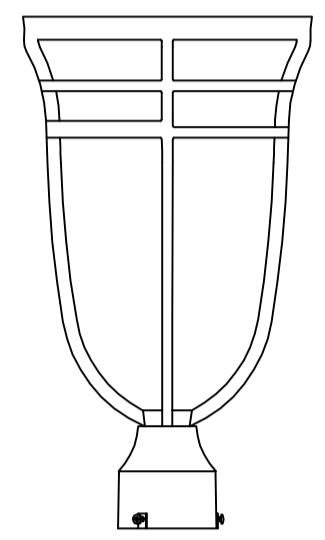
To prevent water intrusion, caulk around back-plate where fixture meets the wall using outdoor silicone sealant. Leave a small gap at the bottom to allow moisture to exit.

Bulb (included) : GU24 1 × 18W

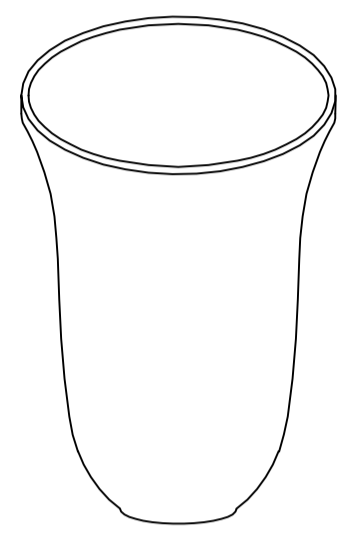


PRODUCT NAME: Westport
 ITEM NUMBER: 84100

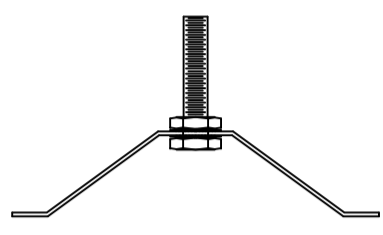
IMPORTANT: Turn off the power at the main fuse or circuit breaker box before starting installation.



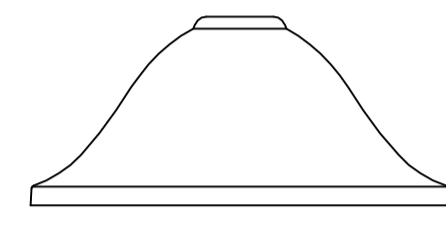
Fixture (A)



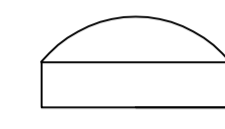
Glass (B)



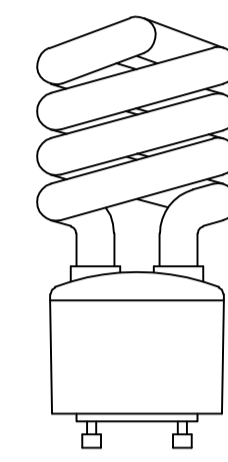
Trestle (C)



Hood (D)



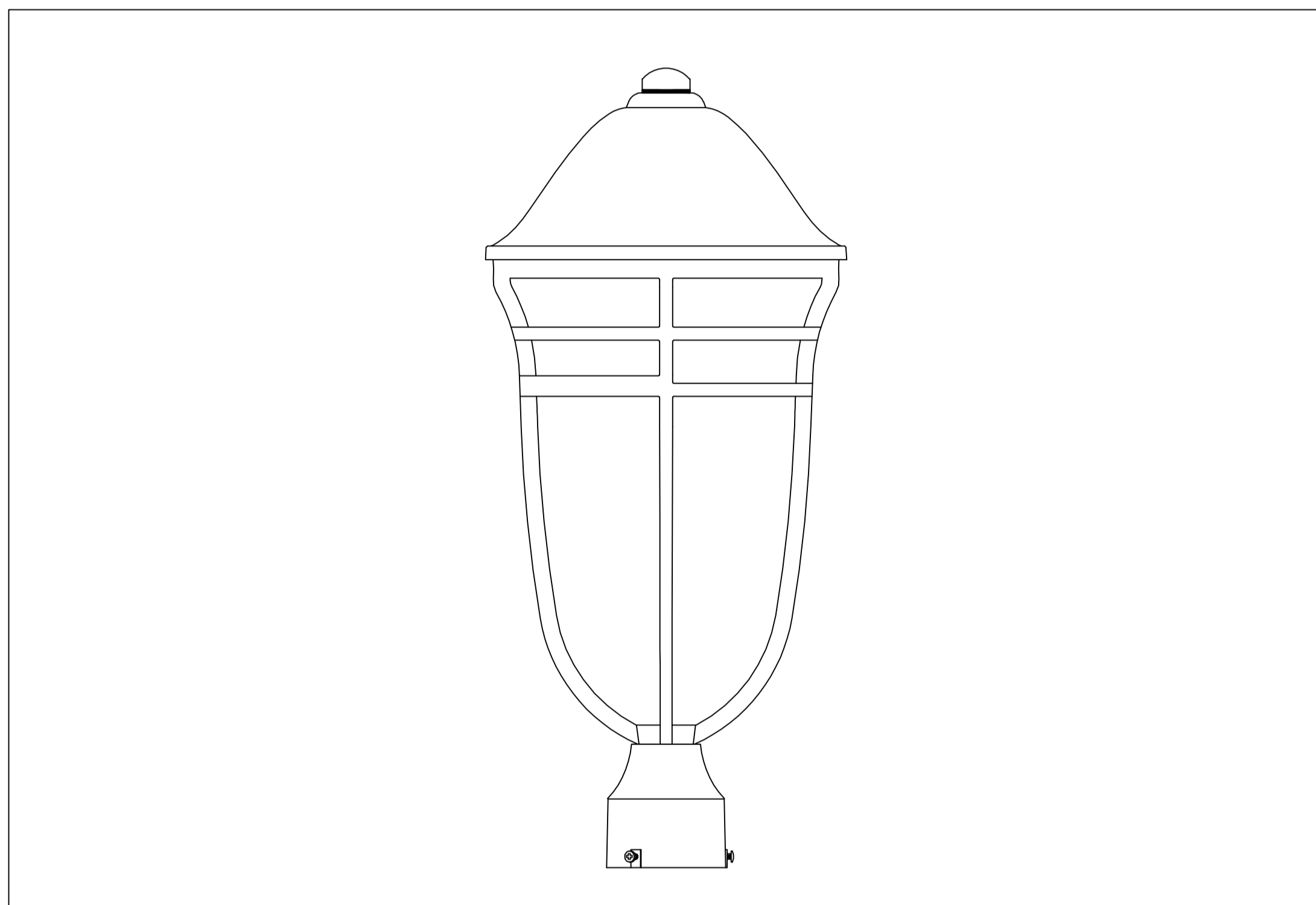
Finial (E)



GU24 Bulb (F)

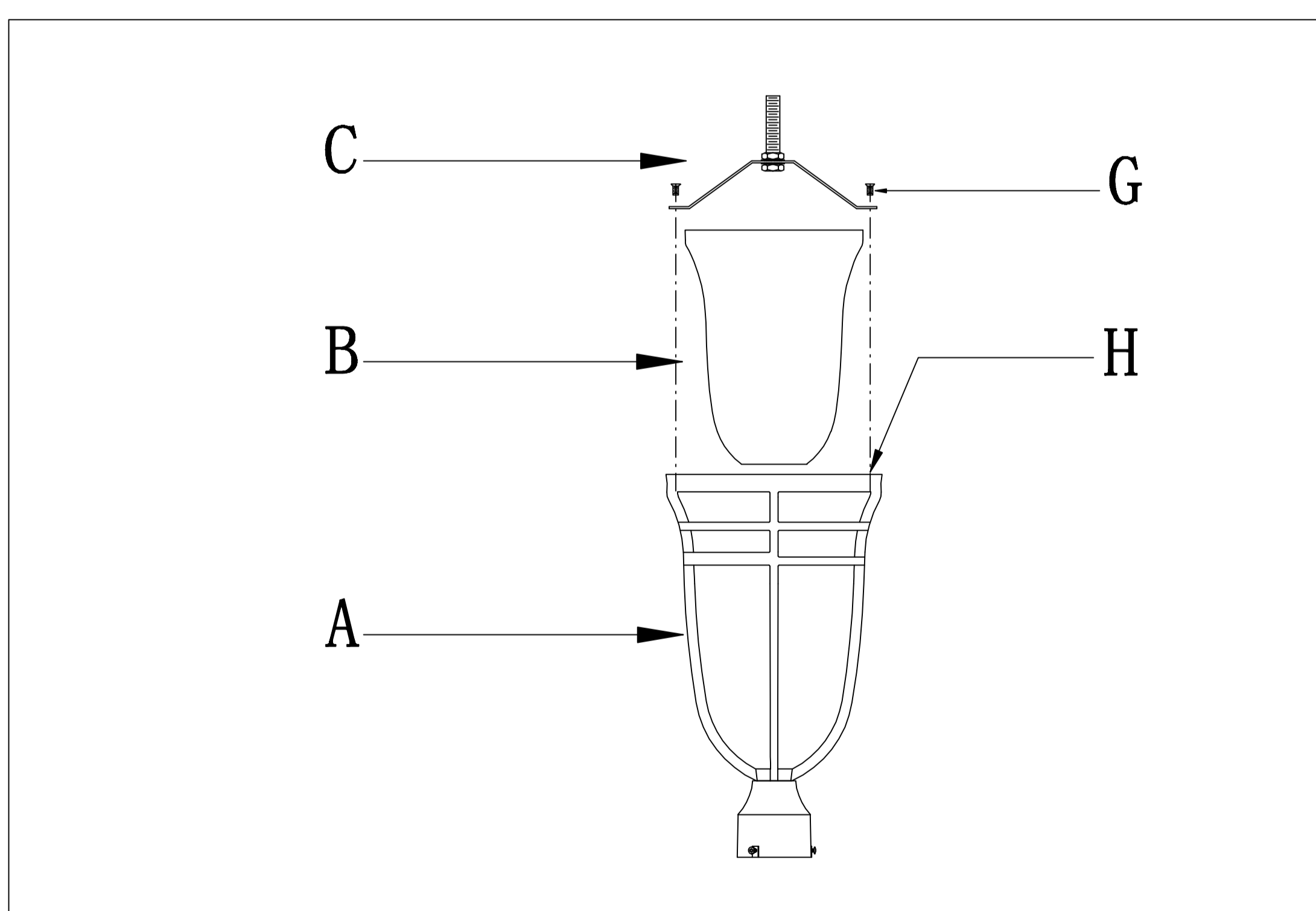
Locate all hardware & components before discarding packaging

1.)



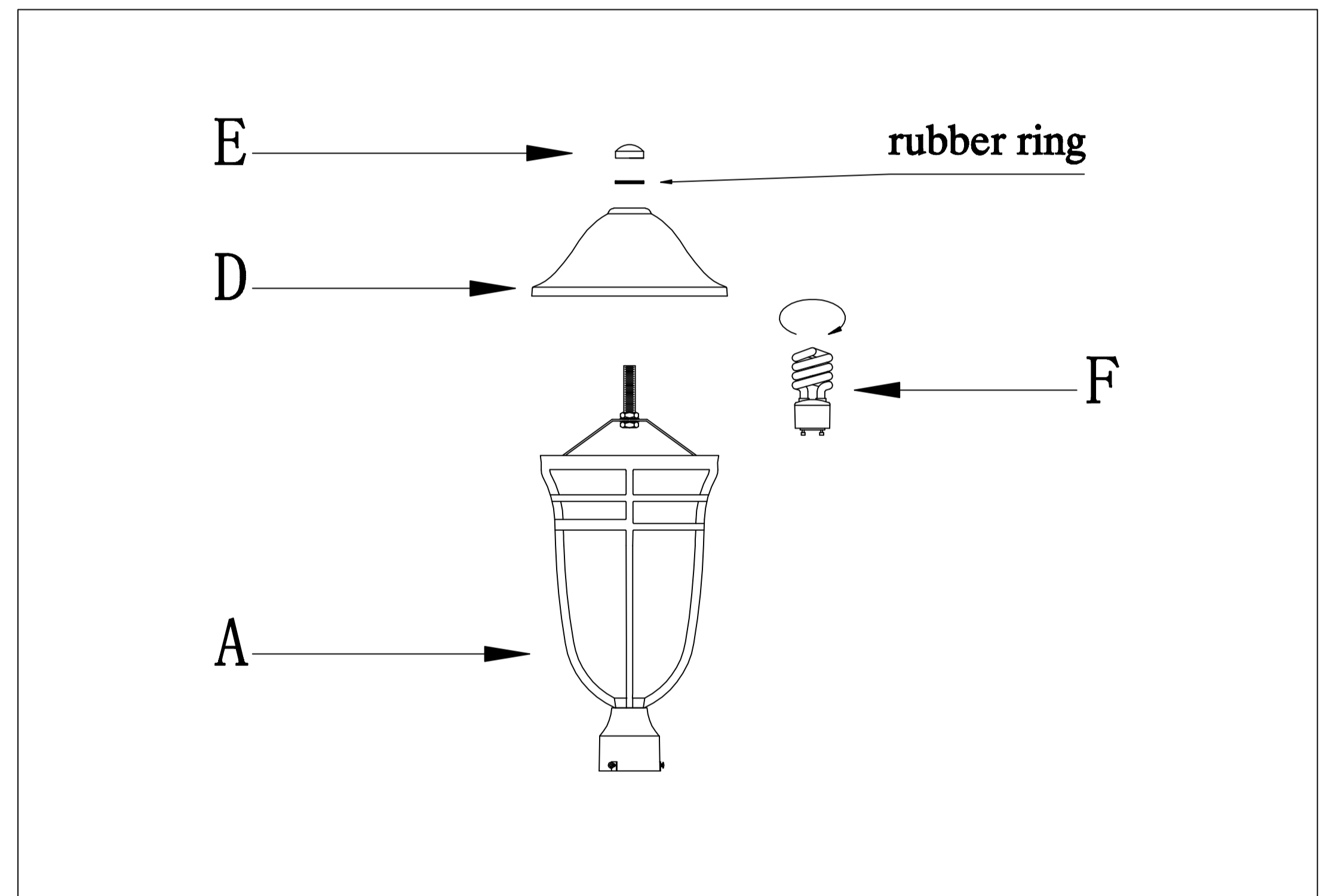
Step.1: Remove hood from the post by unscrewing top finial and two screws within the hood.

2.)



Step.2: Attach glass(B) and secure using trestle(C) to the fixture using screws(G) at point(H).

3.)



Step.3: Install GU24 bulb(F), Feed wire into holes at the bottom of the fixture, and reattach the hood.

Step.4: Wire fixture to supply circuit in the post mount.

Step.5: Secure the fixture to the post using three screws on the post mount fitting.

Step.6: Caulk around the post using RTV silicone sealant to prevent water intrusion into the splicing area.

Cleaning & Care:
 Clean with soft cloth and a mild detergent.
 DO not use abrasive cleaner.