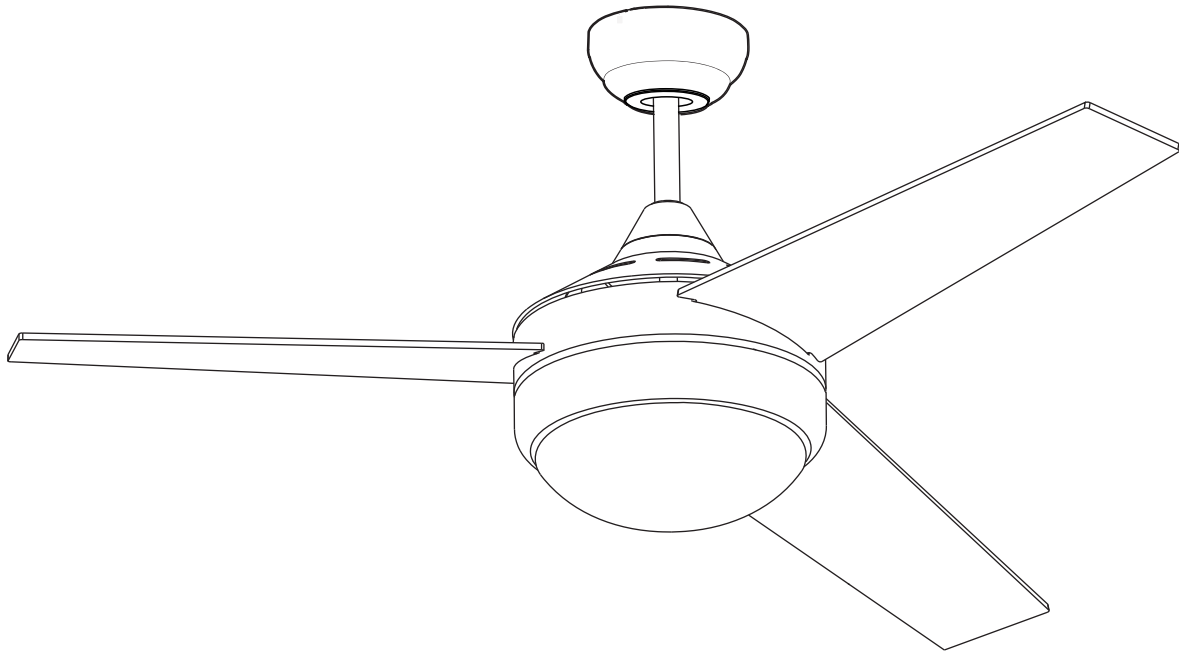




Item/Model Number: 88783

Trio 52" 3-Blade Fan with LED Light Kit



Lamping | Ampoule: 2 x E26 x 9W (Included)

Please consult a qualified electrician prior to install
Veuillez consulter un électricien qualifié pour suspendre le luminaire et le câblage.

Made in China | Fabrique en Chine | Hecho en China

SAFETY INSTRUCTIONS:

READ ALL SAFETY INFORMATION AND INSTALLATION INSTRUCTIONS BEFORE YOU BEGIN INSTALLING THE FAN. IF YOU ARE NOT FAMILIAR WITH NATIONAL AND LOCAL ELECTRICAL CODES AND BASIC ELECTRICAL WIRING PROCEDURES WE RECOMMEND THAT YOU HAVE A QUALIFIED ELECTRICIAN INSTALL YOUR NEW CEILING FAN.

- To avoid the risk of electrical shock be sure to shut off power at the main fuse or Circuit breaker box before installing or servicing this fixture.
- Make sure that all wiring conforms to national and local electrical codes. If you are in question obtain a copy of the codes and wire the fan accordingly . Never leave bare wire uncovered, use wire nuts to cap all connections. Plastic electrical tape is not recommended.
- Basic requirements for a ceiling fan installed with lights are 120V AC-60Hz on a grounded circuit with a 15 amp breaker or fuse. Make sure that your electrical system and choice of location meet these requirements.
- If the location where you plan to install your fan does not already have an electrical outlet, hire a licensed electrician to run the wiring and install an outlet box designed for ceiling fans or heavy fixtures. The outlet box should be able to support a minimum moving weight of 50 pounds and marked "Acceptable for Fan Support" (Plastic outlet boxes are not recommended for ceiling fan installation).
- If you plan to use an existing electrical location, check to make sure that the outlet box is not PLASTIC, that it is securely attached and able to support at least 50 pounds of moving weight marked "Acceptable for Fan Support". If you have any questions, outlet boxes and support systems for ceiling fans are available at most hardware and do-it-yourself centers. In most cases your URBAN33 dealer will have all the necessary products for the proper and safe installation of your ceiling fan.
- The location you choose should have a minimum clearance of 20 inches from any wall to the blade tip at any point in its rotation and a minimum of 7 feet from blade level to floor and 10 inches from the blades to the ceiling.
- This ceiling fan was not designed for installation in any location where it might be exposed to moisture or high humidity. Installation in this type of location could be UNSAFE, will most likely damage the fan and its finish and will VOID YOUR WARRANTY.
- Every effort has been made to provide you with proper instructions for the safe installation of this ceiling fan. You could however, encounter situations or problems not covered in this manual. Should this occur, please refer to a do-it-yourself wiring handbook or hire a qualified electrician to install your fan.
- Lubrication of your new ceiling fan is not necessary . The ball bearings have been adequately charged with grease and permanently sealed at the factory so that, under normal conditions. further attention is not necessary .
- NOTE: The safeguards provided by these safety instructions and by any separate installation instructions are not meant to cover all possible conditions and situations that may occur . it must be understood that common sense, caution and care are factors which cannot be built into this product. These factors must be supplied by the person(s) installing, caring for and operating fan.

 CAUTION:

This product is suitable for use in damp locations when installed in a GFCI protected branch circuit.

HEAVY MOUNTING DISCLAIMER

WARNING!:

THIS FIXTURE WEIGHS MORE THAN 50 LBS & REQUIRES ADDITIONAL SUPPORT!

PROFESSIONAL INSTALLATION REQUIRED: The average junction box is only designed to support 30-50 lbs (13-23kg). Boxes with braced support is required to hang this chandelier. MAXIM LIGHTING GROUP does not accept liability for any injury or damage to lighting fixtures that are installed improperly. Prior to install, a braced mounting structure must be installed.

Fixtures over 150lbs may require additional support for the weight of the chandelier.

A professional installer should review the installation on site and is a prerequisite to safely install this chandelier.

IDENTIFY WIRE TO DRIVER CONFIGURATION

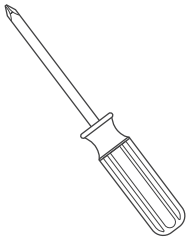
ATTENTION!:

THIS FIXTURE HAS A DETAILED WIRING DIAGRAM!

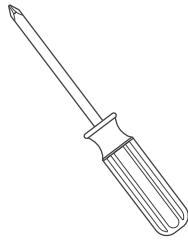
WIRING CONNECTIONS ARE SPECIFIC TO THE DRIVER LAYOUT: Wires are labeled according to the diagram also found in the ASSEMBLY INSTRUCTIONS. Identify the installation pattern so that wires are distributed correctly using convenient terminal blocks in the canopy. MAXIM LIGHTING GROUP does not accept liability for any injury or damage to lighting fixtures that are installed improperly. Prior to install, contact professional electrical services to perform installation.

A qualified professional should review the installation on site and is a prerequisite to safely install this chandelier.

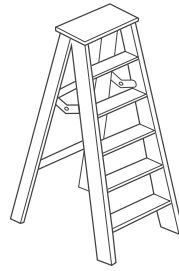
Tools Required:



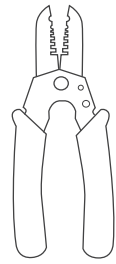
Phillips Head Screwdriver



Flat Head Screwdriver






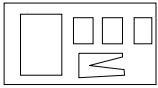
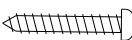


Ladder


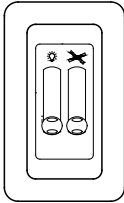

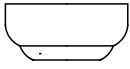







Wire Stripper

Screw Package Included:

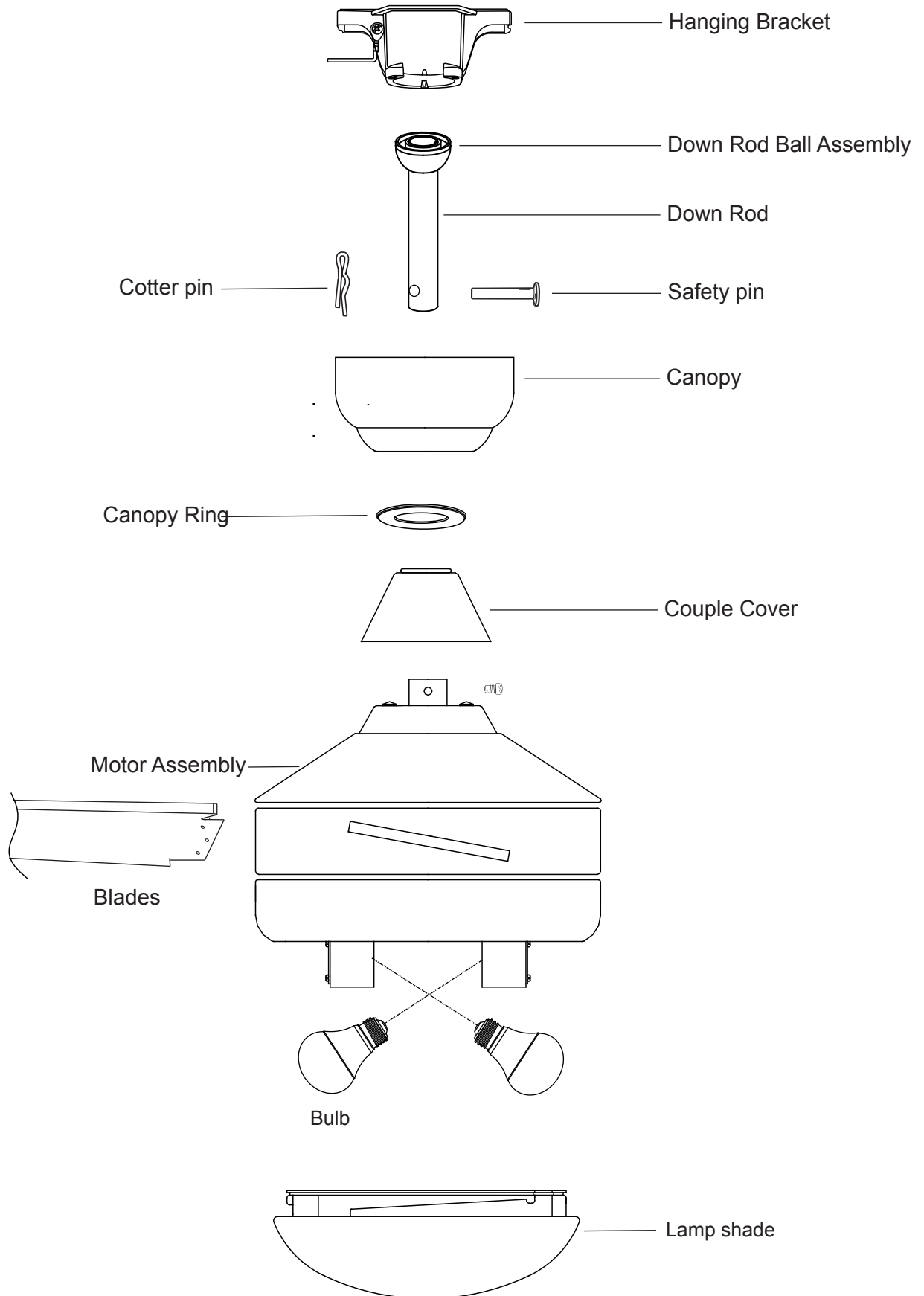
			Screw Package	Quantity
	S1		S5	
	S2		S6	9+1(extra)
	S3		S7	9+1(extra)
	S4			2
				2
				4
				3
				1

Fan Parts Included:

1	Hanging Bracket	*1
2	Down Rod FRD10006xx	*1
3	Canopy	*1
4	Canopy Ring	*1
5	Couple Cover	*1
6	Motor Assembly	*1
7	Blades	*3
8	9 W LED Bulb	*2
9	Lamp shade	*1
10	Wall Control	*1

FAN DIAGRAM

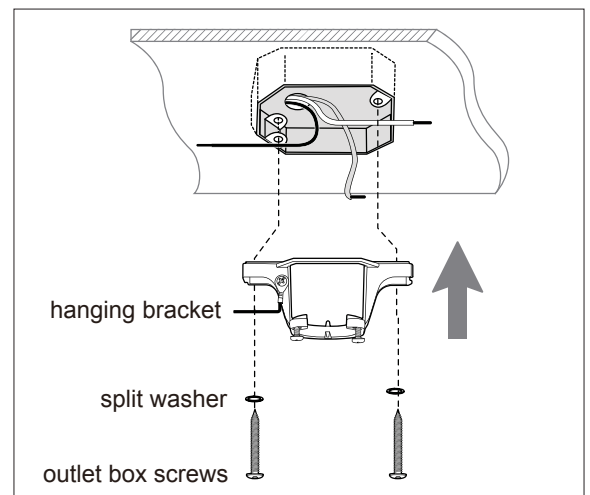


- To reduce the risk of fire, electrical shock, or personal injury, mount this fan to an outlet box marked "Acceptable for Fan Support of 22.7 kg (50 lbs) " or less and use Mounting Screws provided with the outlet box. CAUTION: Install the primary mounting means and use only the hardware provided with the fan.
- To reduce the risk of personal injury take care not to bend the blade brackets when installing the brackets, balancing the blades or cleaning the fan. Be careful not to insert foreign objects in between rotating fan blades.
- To reduce the risk of fire or electrical shock, do not use this fan with any solid-state speed control device.
- The important safeguards and instructions appearing in this manual are not meant to cover all possible conditions and situations that may occur. It must be understood that common sense, caution and careful attention to detail are factors which cannot be built into this product. These factors must be supplied by the person or persons installing, caring for, and operating the unit.

INSTALLATION INSTRUCTIONS:

Step 1: Install the Hanging Bracket

1. Attach the hanging bracket to the outlet box using the screws provided, or use the screws that came with the original outlet box.
2. Secure the bracket with the split washer included with the fan or the one from the original outlet box.
3. For vaulted ceilings: Position the open side of the hanging bracket so it faces the highest point of the ceiling.
4. Carefully route the electrical wiring around the back of the hanging bracket, ensuring it is clear of the bracket's opening.

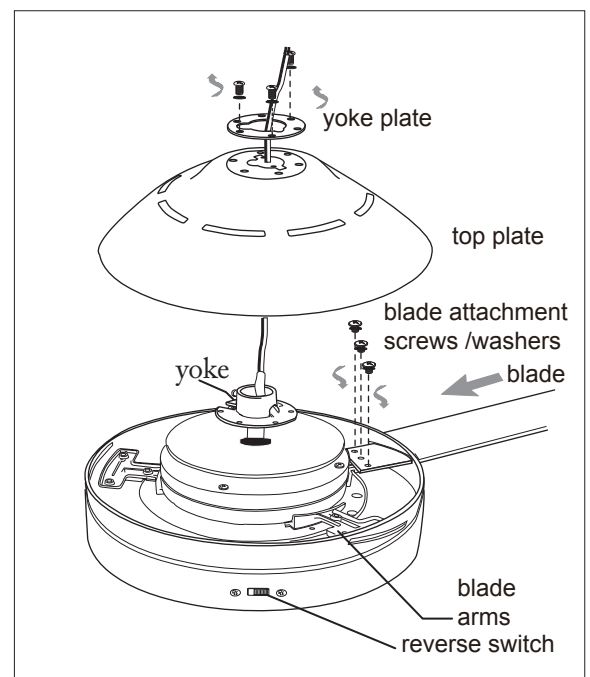


Step 2: Attach the Blades

1. Remove 3 screws and washers from yoke plate (located on top plate on top of motor housing) and set aside. Lift yoke plate and top plate to remove from motor housing and set aside.

WARNING: to reduce the risk of serious bodily injury, DO NOT use power tools to assemble the blades. If overtightened, blades may crack and break.

2. Re-attach top plate and yoke plate to yoke using washers and screws previously removed. Be sure that cutouts on top plate and yoke plate aligns over yoke set screws for a proper fit. Tighten screws to secure top plate and yoke plate.

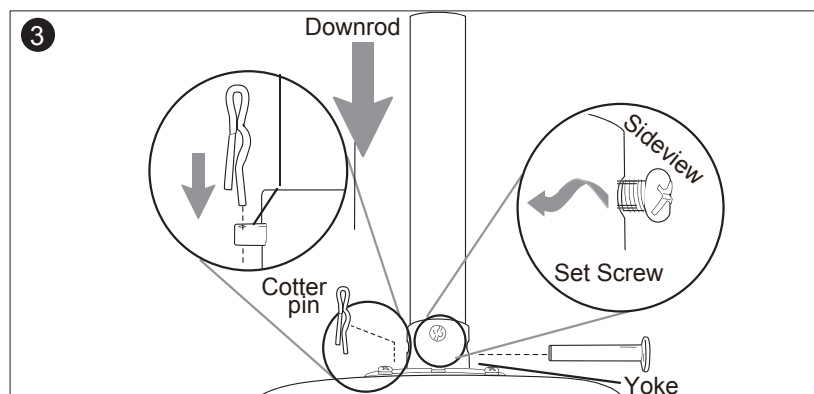
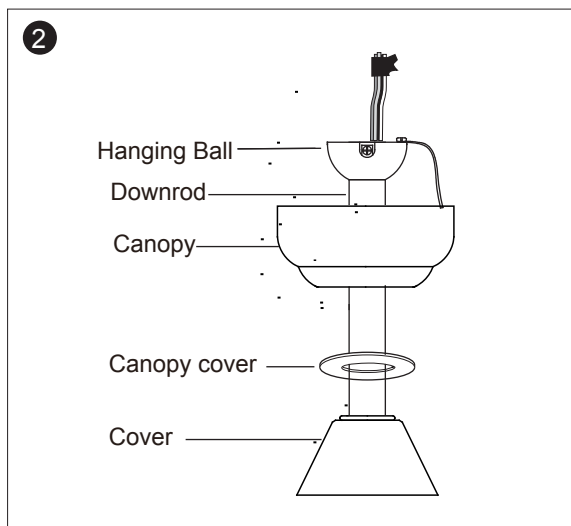
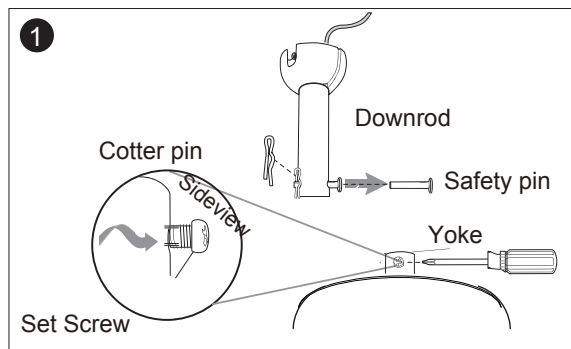


Step 3: Suspension Installation

1. Remove Safety pin and Cotter pin from Partially downrod loosen preassembled set screws in yoke at top of motor assembly.

2. Insert downrod through canopy, canopy cover and cover. Then thread wires from motor assembly through downrod. Remove electrical tape from electrical wiring and thread each of the wires through a different hole in the weatherproof hanging ball cover. Pull weatherproof hanging ball cover down securely over hanging ball (on downrod).

3. Slip the downrod into the motor assembly yoke, align the holes, and insert the safety pin and cotter pin. Tighten the set screws in the motor assembly yoke. Remove the screws until the downrod rests on top of the motor assembly.

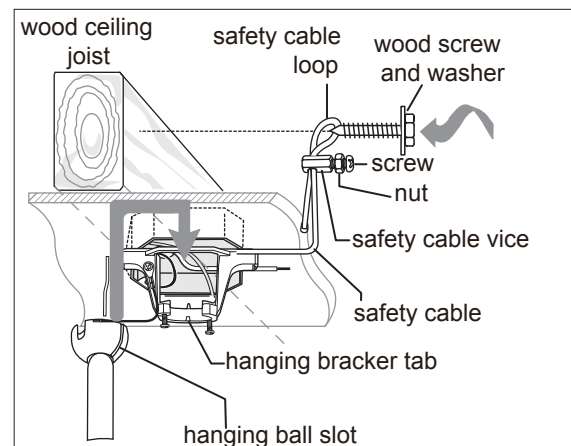


Step 4: Hanging Fan Body

With the hanging bracket secured to the outlet box and able to support the fan, you are now ready to hang your fan. Grab the fan firmly with two hands. Slide downrod through opening in hanging bracket and let hanging ball rest on the hanging bracket. Turn the hanging ball slot until it lines up with the hanging bracket tab.

WARNING: Failure to align slot in hanging ball with tab in hanging bracket may result in serious injury or death.

Tip: Seek the help of another person to hold the stepladder in place and to help lift the fan up to you once you are set on the ladder.



Find a secure attachment point (wood ceiling joist highly recommended) and secure safety cable. It will be necessary to use a heavy duty wood screw, washer and lock washer (not supplied) with the safety cable loop.

Replace vice on safety cable and adjust safety cable length by loosening screw and nut on the safety cable vice and pulling on the cable. Adjust slack in cable to a hands length and secure vice by tightening screw and nut securely. [Refer to drawing at right.] The loop at the end of the safety cable should just fit over the threads on the wood screw. Test safety cable by pulling on loose end with pliers. If the safety cable slips, the loop must be adjusted tighter. Extra cable slack can be left in ceiling area.

Step 5: Wiring

WARNING: Turn off circuit breakers to current fixture from breaker panel and be sure switch is turned to the OFF position.

CAUTION: Be sure outlet box is properly grounded and that a ground wire (GREEN or Bare) is present.

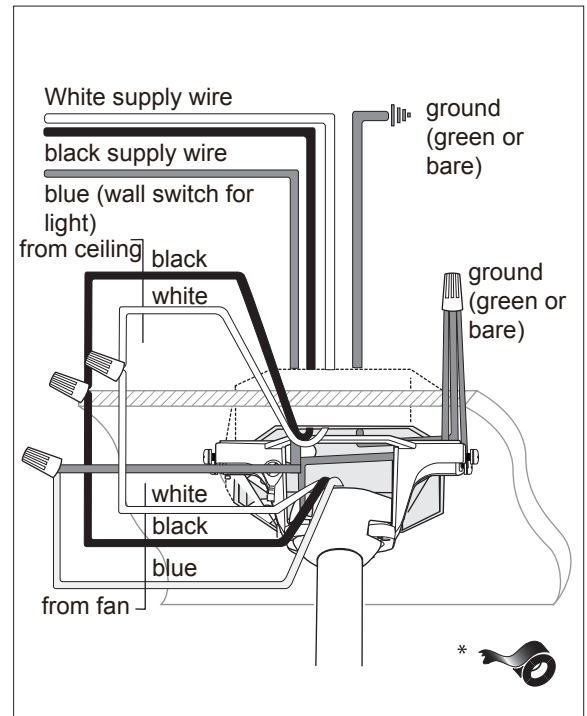
Make sure all electrical connections comply with Local Codes or Ordinances and the National Electrical Code. If you are unfamiliar with electrical wiring or if the house/building wires are different colors than those referred to in the instructions below, please use a qualified electrician. Note: Excess lead wire length from the fan can be cut to the desired length and then stripped.

Note: Excess lead wire length from the fan can be cut to the desired length and then stripped.

When fan is secured in place on the hanging bracket, electrical wiring can be made as follows:

- Connect blue wire from fan to blue wire from ceiling outlet box.
- Connect black wire from fan to black wire from ceiling outlet box.
- Connect white wire from fan to white wire (neutral) from ceiling outlet box.
- Connect green ground wires from downrod and bracket to ground wire (green or bare copper) from ceiling outlet box.

*Wrap each wire connector separately with electrical tape as an extra safety measure.



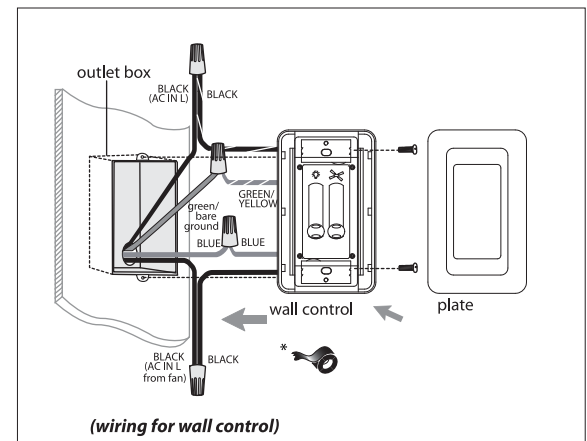
Step 6: Wiring - Wall Control

Remove existing wall switch. Wire the wall control as shown in diagram at right.

Connect black wire (live) from Wall outlet box to black (AC IN L) wire from wall switch. Connect black wire from Fan (inside the outlet box) to black (TO MOTOR L) wire from wall switch. Connect blue wire from Light (inside the outlet box) to (TO LIGHT L) wire from wall switch. Connect GREEN/YELLOW ground wire from wall control to ground wire in the outlet box. Use wire connectors provided when making connections.

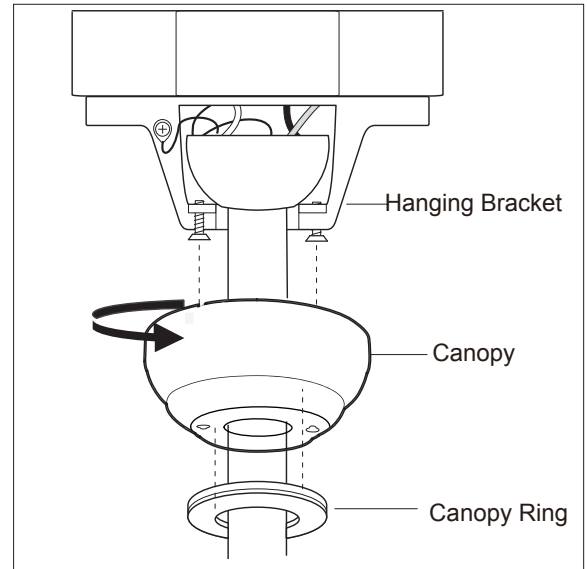
*Wrap each wire connector separately with electrical tape as an extra safety measure. Gently push wires and taped wire connectors into outlet box.

Attach wall control to outlet box and secure with screws from original wall switch. Attach plate (included) to wall control using 2 screws provided with the wall control.



Step 7: Attach the Canopy and Canopy Cover

1. Locate the two screws on the underside of the hanging bracket. Remove partially loosen the screw.
2. Lift the canopy to the hanging bracket. Align the rounded part of the slotted hole in the canopy with the loosened screw, then push the canopy up.
3. Twist the canopy to lock it into place and tighten both screws securely.
4. Slide the canopy ring up to the canopy. Align the nodules on the canopy ring with the notches in the center hole at the bottom of the canopy, then twist the cover to secure it.



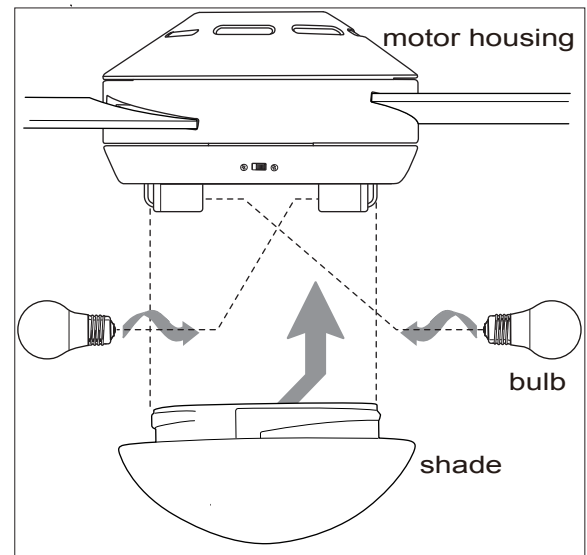
Step 8: Install the Light Kit

1. Install two 9 watt medium base LED bulbs (included),

IMPORTANT: When replacing bulbs, please allow bulbs and shade to cool down before touching.

2. Align grooves on shade with nodules on inside edge of light kit fitter and push up gently on shade. Twist shade to the RIGHT (clockwise) until shade locks into place.

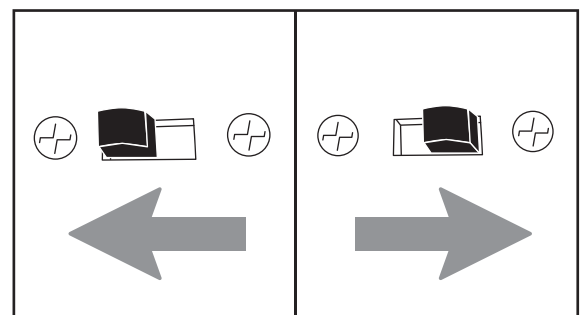
Pull down VERY GENTLY on shade to make sure that shade is secure.



TESTING YOUR FAN

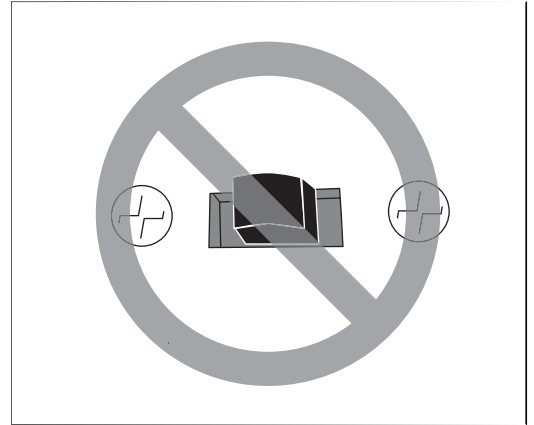
Seasonal Settings for the Reverse Switch

- In summer, set the reverse switch to LEFT (counterclockwise) for downward airflow.
- In winter, set the reverse switch to RIGHT (clockwise) to circulate warm air.



IMPORTANT: The fan will not function properly if the reverse switch is position in the centre.

NOTE: Always wait for the fan to come to a complete stop before changing the reverse switch.



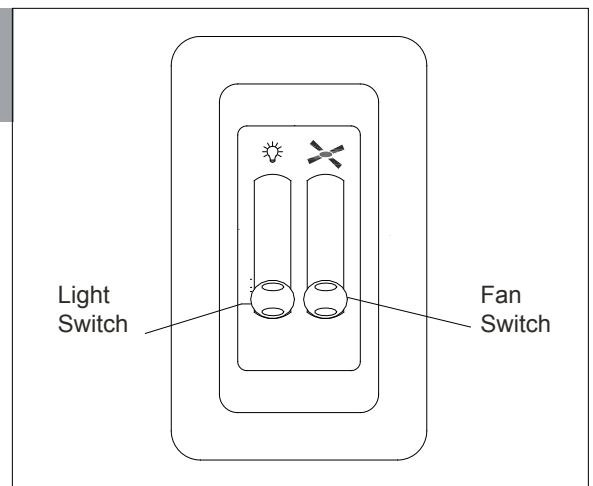
WALL CONTROL FUNCTION

Light Switch Operation:

Push the light switch upward to brighten the lightness. Push the light switch downward to dimmer the lightness.

Fan Switch Operation:

Push the speed switch upward to increase the speed. Push the speed switch downward to low the speed.



TROUBLESHOOTING GUIDE:

If you have difficulty operating your new ceiling fan it may be the result of incorrect assembly, installation or wiring. In some cases these installation errors may be mistaken for defects. If you experience any faults please check this troubleshooting guide.

PROBLEM

SUGGESTED REMEDY:

1.If fan does not start:

1. Check main and branch circuit fuses or circuit breakers.
2. Check line wire connections to fan and switch wire connections in switch housing.
CAUTION: Make sure main power is turned off.
- 3 Make sure forward/reverse switch is firmly in up or down position. Fan will not operate when switch is in the middle.
4. Make sure that the wall controller is turned "ON".

2.If fan sounds noisy:

1. Make sure all screws in motor housing are snug (not over tightened).
2. Make sure the screws which attach the fan blade holder to the motor are tight.
3. Make sure wire nut connectors in switch housing are not rattling against each other or against the interior wall of the switch housing.
CAUTION: Make sure main power is turned off before entering switch housing.
4. If using an optional ceiling fan light kit check to be sure the screws securing the glass shade are tight. Check to be sure the light bulb is tight on the socket and not touching the glass shade.
5. Some fan motors are sensitive to signals from solid state variable speed controls. DO NOT USE a solid state variable speed control.
6. Your ceiling fan's "break in" period is 24 hours of operation. Most noises associated with a new fan will disappear after this period.

3. If fan wobbles:

All blades are weighed and grouped by weight. Natural woods vary in density which could cause the fan to wobble even though all blades are weight-matched. The following procedures should eliminate most of the wobble. Check for wobble after each step.

1. Check that all blades are screwed firmly into blade holders.
2. Check that all blade holders are tightened securely to motor.
3. Make sure that canopy and mounting bracket are tightened securely to ceiling outlet box and outlet box is mounted firmly to ceiling joist.
4. Most fan wobble problems are caused when blade levels are unequal. Check this level by selecting a point on the ceiling above the tip of one of the blades keeping measure within 1/8 in. Rotate the fan until the next blade is positioned for measurement. Repeat for each blade. If all blade levels are not equal you can adjust blade levels by the following procedure. To adjust a blade tip down insert a washer (not supplied) between the blade and blade holder at the screw closest to the motor. To adjust a blade tip up insert washer (not supplied) between the blade and blade holder at the two screws farthest from the motor.
5. If blade wobble is still noticeable interchanging two adjacent (side by side) blades can redistribute the weight and possibly result in smoother operation.

4. If light does not work:

1. Check blue wire from fan to make sure it is connected to hot wire from the house.
2. Check for loose or disconnected wires in fan switch housing.
3. Check for loose or disconnected wires in light kit.
4. Check for faulty light bulbs. **CAUTION:** Make sure main power is turned off before entering switch housing.
5. If the fan light shuts off shortly after being switched on it may be due to excessive current demand. Turn off power to the fan and replace the light bulbs with lower wattage bulbs. Turn on power to the fan using the pull chain, wall switch, or remote control (whichever is installed on the particular fan).