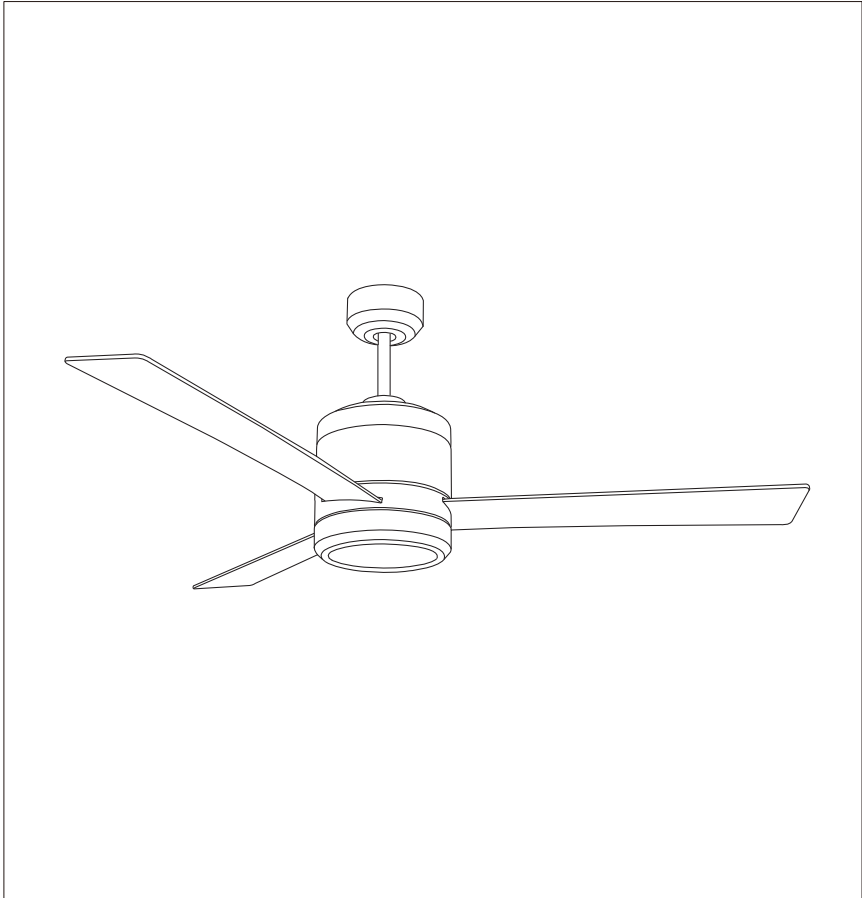




PRODUCT NAME: Tanker Cylinder Fan  
ITEM NUMBER: 993985FTSN 88816

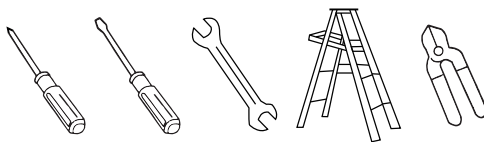
Please consult your electrician for hanging fixture and wiring.



MADE IN CHINA

# TOOLS AND MATERIALS REQUIRED

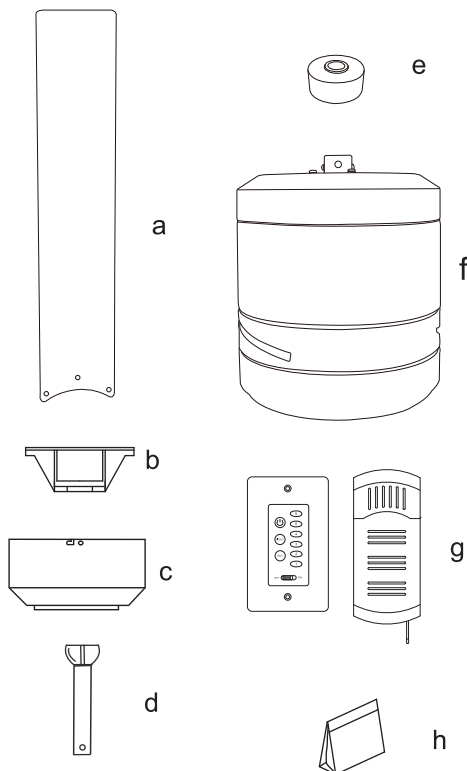
- Phillips screw driver
- Blade screw driver
- 3/8" wrench
- Step ladder
- Wire cutters



## 1. PACKAGE CONTENTS

Unpack your fan and check the contents. You should have the following items:

- Blade set (3)
- Hanger bracket
- Canopy
- Downrod
- Coupling cover
- Fan motor assembly
- Wall control, receiver
- Package hardware
  - Mounting hardware:
    - wood screws (2) screws (2),
    - lock washers (2), star washers (2),
    - wire nuts (3), washers (2)
  - Close mount hardware:
    - screw with lock washers (3)
  - Blade attachment hardware:
    - screws(10),fiber washers(10)
  - Balance Kit



## 2. SAFETY RULES

1. To reduce the risk of electric shock, insure electricity has been turned off at the circuit breaker or fuse box before beginning.
2. All wiring must be in accordance with the National Electrical Code and local electrical codes. Electrical installation should be performed by a qualified licensed electrician.
3. **WARNING:** To reduce the risk of electrical shock and fire, do not use this fan with any solid-state fan speed control device.
4. **WARNING:** To reduce the risk of personal injury, use only the two steel screws (and lock washers) provided with the outlet box for mounting to the outlet box. Most outlet boxes commonly used for the support of lighting fixtures are not acceptable for fan support and may need to be replaced, consult a qualified electrician if in doubt.
5. The outlet box and support structure must be securely mounted and capable of reliably supporting a minimum of 50 pounds. Use only UL Listed outlet boxes marked "**FOR FAN SUPPORT**".
6. The fan must be mounted with a minimum of 7 feet clearance from the trailing edge of the blades to the floor.
7. Do not operate reversing switch while fan blades are in motion. Fan must be turned off and blades stopped before reversing blade direction.
8. Avoid placing objects in the path of the blades.
9. To avoid personal injury or damage to the fan and other items, be cautious when working around or cleaning the fan.
10. Do not use water or detergents when cleaning the fan or fan blades. A dry dust cloth or lightly dampened cloth will be suitable for most cleaning.
11. After marking electrical connections, spliced conductors should be turned upward and pushed carefully up into outlet box. The wires should be spread apart with the grounded conductor and the equipment-grounding conductor on one side of the outlet box.
12. Electrical diagrams are reference only. Light kit that are not packed with the fan must be UL Listed and marked suitable for use with the model fan you are installing. Switches must be UL General Use Switches. Refer to the Instructions packaged with the light kits and switches for proper assembly.

**WARNING**

TO REDUCE THE RISK OF FIRE, ELECTRIC SHOCK OR PERSONAL INJURY, MOUNT FAN TO OUTLET BOX MARKED "ACCEPTABLE FOR FAN SUPPORT".

**WARNING**

TO REDUCE THE RISK OF PERSONAL INJURY, DO NOT BEND THE BLADE BRACKETS (ALSO REFERRED TO AS FLANGES) DURING ASSEMBLY OR AFTER INSTALLATION. DO NOT INSERT OBJECTS IN THE PATH OF THE BLADES.

### 3. MOUNTING OPTIONS

If there isn't an existing UL listed mounting box, then read the following instructions. Disconnect the power by removing fuses or turning off circuit breakers.

Secure the outlet box directly to the building structure. Use appropriate fasteners and building materials. The outlet box and its support must be able to fully support the moving weight of the fan (at least 50 lbs). Do not use plastic outlet boxes.

Fig.1, 2 and 3 are examples of different ways to mount the outlet box.

**Note:** You may need a longer downrod to maintain proper blade clearance when installing on a steep, sloped ceiling. (Fig.3)

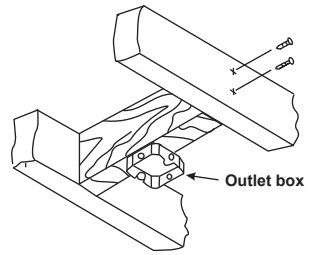


Fig.1

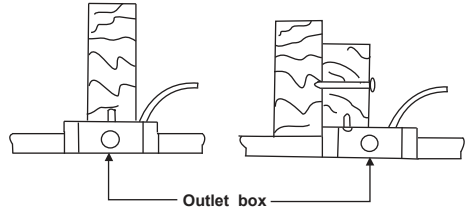


Fig.2

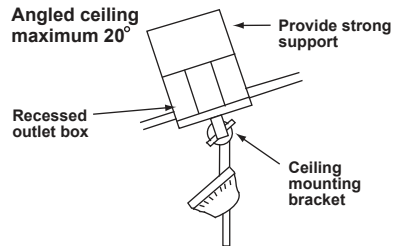


Fig.3

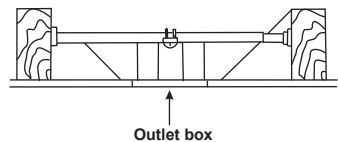


Fig.4

# 4. ATTACHING THE FAN BLADES

Step 1 Remove the motor cover by unscrewing the screws with a screwdriver. (Fig.5)

Step 2 Fasten blade assembly to motor using the screws supplied. (Fig. 6)

Step 3 Install the motor cover back to the motor and tighten it with screws.(Fig.7)

**WARNING**  
TO REDUCE THE RISK OF PERSONAL INJURY, DO NOT BEND THE BLADE HOLDERS WHILE INSTALLING, BALANCING THE BLADES, OR CLEANING THE FAN. DO NOT INSERT FOREIGN OBJECTS BETWEEN ROTATING FAN BLADES.

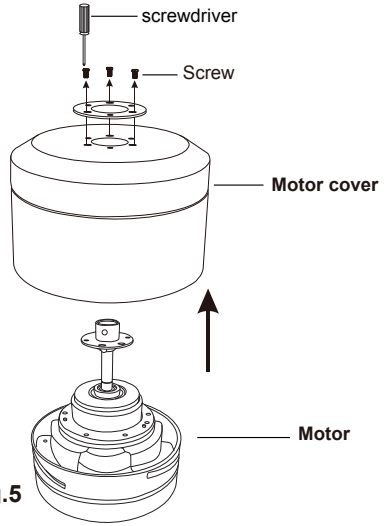


Fig.5

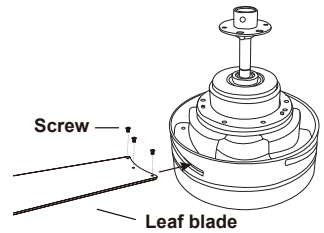


Fig.6

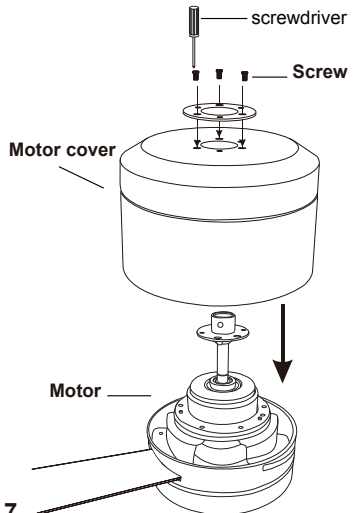


Fig.7

## 5. HANGING THE FAN

**REMEMBER** to turn off the power. Follow the steps below to hang your fan properly. **NOTE:** This ceiling fan is supplied with two types of hanging assemblies; the standard ceiling installation using the downrod with ball and socket mounting and the "close-to-ceiling" installation. The "close-to-ceiling" installation is recommended in rooms with less than 8-foot ceilings or in areas where additional space is desired from the floor to the fan blades.

### STANDARD CEILING INSTALLATION

Step 1. Pass the 120-volt supply wires through the center hole in the ceiling hanger bracket as shown in (Fig.8)

Step 2. Secure the hanger bracket to the ceiling outlet box with the screws and washers provided with your outlet box.

Step 3. Remove the hanger pin, lock pin and set screws from the top of the motor assembly.

Step 4. Route wires exiting from the top of the fan motor through the canopy and then through the ball/downrod. (Fig.9)

Step 5. Align the holes at the bottom of the downrod with the holes in the collar on top of the motor housing. Carefully insert the hitch pin through the holes in the collar and downrod. Be careful not to jam the pin against the wiring inside the downrod. Insert the locking pin through the hole near the end of the hitch pin until it snaps into its locked position. (Fig.9)

Step 6. Tighten two set screws on top of the fan motor firmly.

Step 7. Place the downrod ball into the hanger bracket socket. This will allow you to make the electrical connections. (Fig.10)

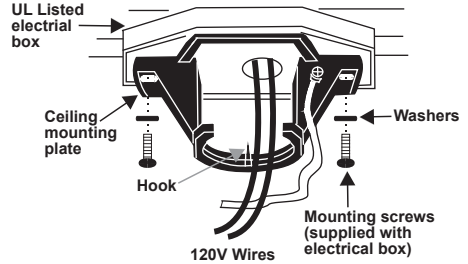


Fig.8

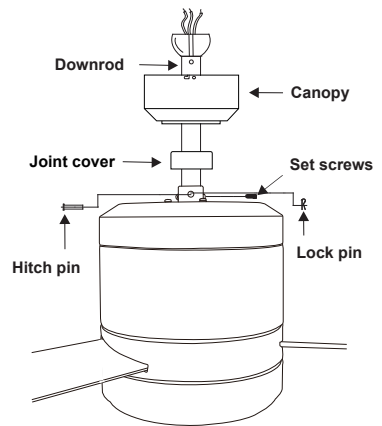


Fig.9

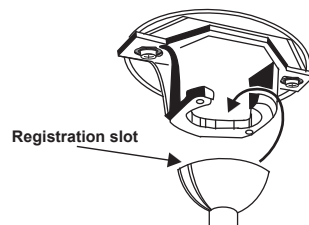
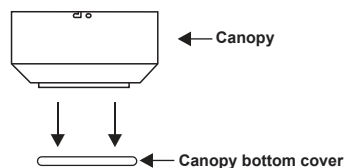


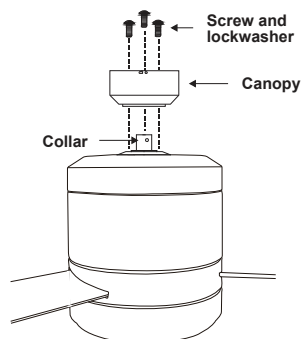
Fig.10

## 6. LOSE-TO-CEILING INSTALLATION

1. Remove the decorative canopy bottom cover from the canopy. (Fig. 11)
2. Pass the 120-volt supply wires through the center hole in the ceiling hanger bracket as shown in (Fig. 8)
3. Secure the hanger bracket to the ceiling outlet box with the screws and washers provided with your outlet box. (Fig. 8)
4. Place the ceiling canopy over the collar at the top of the motor. Align the mounting holes with the holes in the motor and fasten using the screws and lock washers provided. (Fig. 12)
5. Tighten the mounting screws securely. (Fig. 12)



**Fig.11**



**Fig.12**

## 7. MAKE THE ELECTRIC CONNECTIONS

Remember to disconnect the power. Follow the steps below to connect the fan to your household wiring. Use the wire connecting nuts supplied with your fan. Secure the connectors with electrical tape. Make sure there are no loose strands or connections.

Step 1 Connect the fan power supply (pink, gray, red) lines and the lamp (blue, white) lines to the corresponding color power supply lines of the receiver, as shown in (Fig.13).

Step 2 Connect the fan receiver fire, zero line (black, white) to the home fire, zero line (black, white).

Step 3 Connect the fan ground wire (green) and receiver (green) to the home ground wire.

Step 4 After connecting the cables, separate the cables and place the green and white cables on one side of the socket box and the black cables on the other side.

Step 5 Turn the connecting nuts upward and push the wiring into the outlet box.

**WARNING: TO REDUCE THE RISK OF FIRE, ELECTRIC SHOCK, OR OTHER PERSONAL INJURY. MOUNT FAN ONLY ON AN OUTLET BOX OR SUPPORTING SYSTEM MARKED ACCEPTABLE FOR FAN SUPPORT.**

DC fan wiring diagram

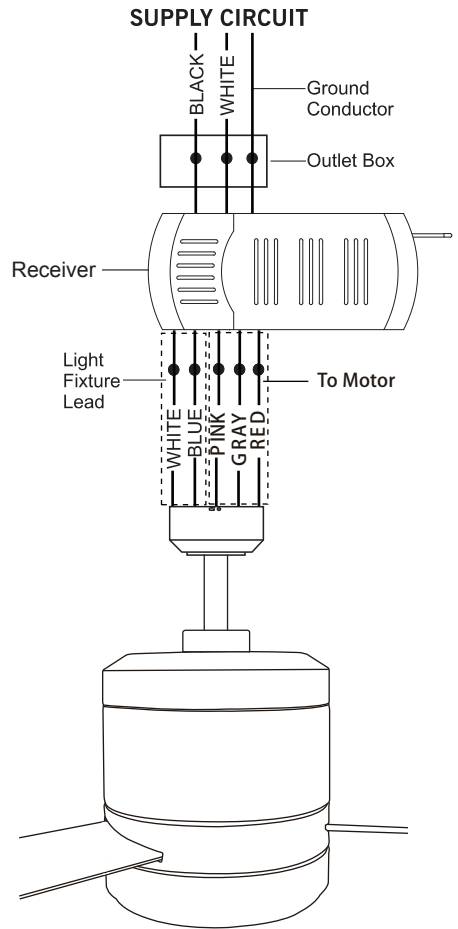


Fig.13



**Remember** to disconnect the power.

Follow the steps below to connect the fan to your household wiring. Use the wire connecting nuts supplied with your fan. Secure the connectors with electrical tape. Make sure there are no loose strands or connections.

Step 1 Connect the fan supply (black) wire and light fixture (blue) wire to the black household supply wire as shown in (Fig.14).

Step 2. Connect the neutral fan (white) wire to the white neutral household wire.

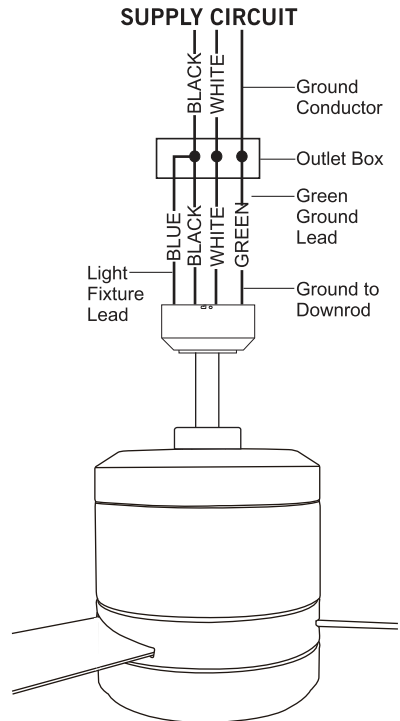
Step 3 Connect the fan ground wire (green) to the household ground wire.

Step 4 After connecting the wires, spread them apart so that the green and white wires are on one side of the outlet box and the black and the blue wires are on the other side.

Step 5 Turn the connecting nuts upward and push the wiring into the outlet box.

**WARNING:** TO REDUCE THE RISK OF FIRE, ELECTRIC SHOCK, OR OTHER PERSONAL INJURY. MOUNT FAN ONLY ON AN OUTLET BOX OR SUPPORTING SYSTEM MARKED ACCEPTABLE FOR FAN SUPPORT.

## AC fan wiring diagram



**Fig.14**

## 8. FINISHING THE INSTALLATION

### STANDARD CEILING INSTALLATION

Slide canopy up to the ceiling as shown in Fig. 15. Make sure you place the wires safely into the outlet box. Secure the canopy to the hanger bracket with the four screws with your fan.

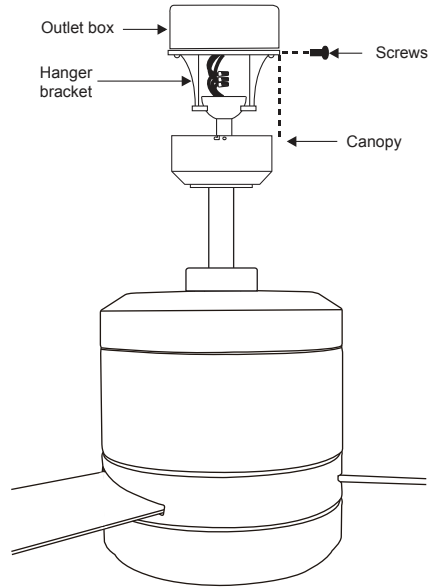
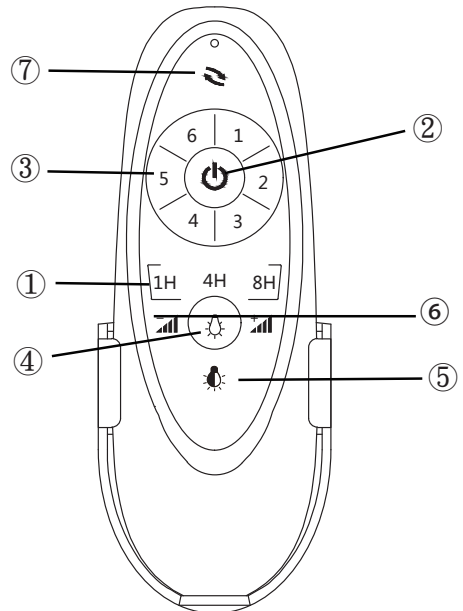


Fig.15

## 9. TRANSMITTER HANDSET FUNCTIONS

1. **TIMER BUTTON** By pressing the respective TIMER button 1H/4H/8H; you can select time after which you want to Turn OFF the fan. 8H is also used for Wi Fi
2. **ON/OFF** By pressing this button, the fan will turn ON and OFF accordingly.
3. **FAN SPEED** By pressing the respective FAN SPEED button you can select fan speed 1-6. (The first gear is high and the sixth gear is low)
4. **ON** By pressing this button, the light will turn ON.
5. **OFF** By pressing this button, the light will turn OFF.
6. **DIMMER** Press + to increase brightness and - to decrease brightness. Long press +/- will turn the brightness to maximum or minimum. (15%~100%)
7. **SUMMER/WINTER** When the fan is first turned on, the default mode is Summer (counterclockwise rotation) and Winter (clockwise rotation).



# 10.Wall control button function

**1.ON/OFF** By pressing this button, the fan will turn ON and OFF accordingly.

**2.LIGHT** By pressing this button, the light will turn ON and OFF,Long press this button, the light can be dimmed or lit. (15%~100%)

**3.REV** When the fan is first turned on, the default mode is Summer (counterclockwise rotation) and Winter (clockwise rotation).

**4.ON/OFF** Power switch, control the power supply of the whole fan, pull to close, pull to open ON.

**5.FAN SPEED** By pressing the respective FAN SPEED button you can select fan speed 1-6.(The first gear is high and the sixth gear is low) (Fig.16)

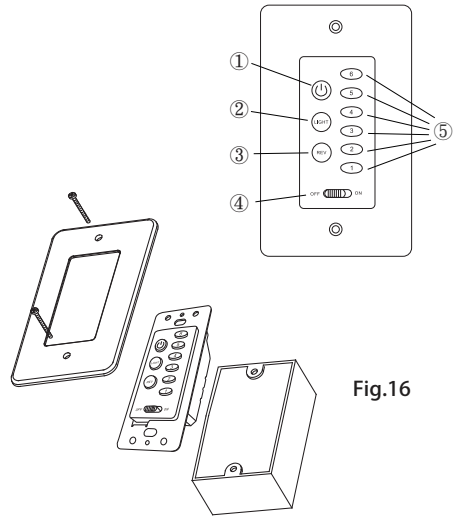
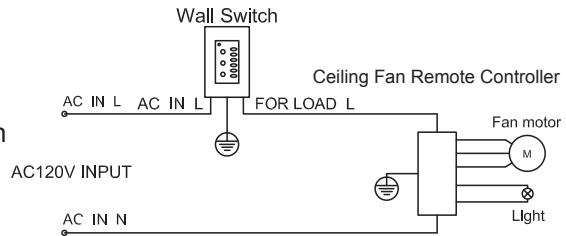


Fig.16



## KINDLY REMINDERS :

- 1.The wall control and receiver included with your fan have been paired beforehand, this learning code matching mode is only for when you need to do a new pairing of the wall control and receiver.
- 2.Learning code matching mode is used between wall control and receiver. Turn“ON”the supply power within 30 seconds and press the wall control’s “⏻” button for 5 seconds, it can load normally after hearing a long sound“bee”, which means learning successfully and it can works normally. ( PS : Learning mode is not accepted after turn“ON”the supply power for 30 seconds).
- 3.When the wall control cannot control the receiver, please check is there any existence of similar remote controlled products nearby , then check whether they works , because remote controlled product with the same frequency will disturb each other.
- 4.The maximum load of lighting see the above“POWER PARAMETER LIST”  
**PS : please connect the ground wire correctly,otherwise it may cause the light micro-light or flash**
- 5.When installing the fan,the fan ceiling cover don't press the antenna(or other wire),it is easy to breakdown the wire and short-circuited.

# 11. Fan Installation Drawing

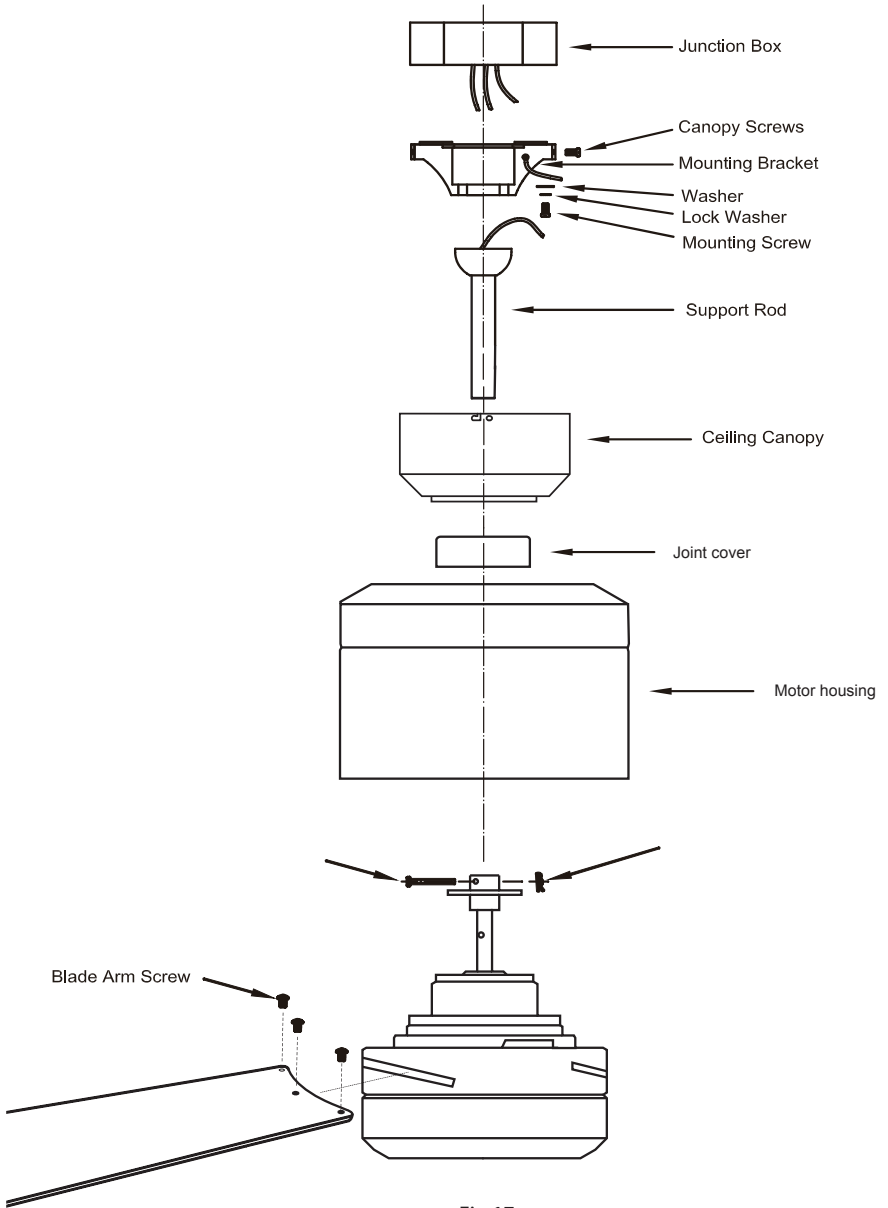


Fig.17

## 12.OPERATING YOUR FAN

Turn on the power and check the operation of your fan. The pull chain controls the fan speed as follows:

1. 3-speed pull chain- it controls the fan speed as follows: 1 pull- High, 2 pulls- Medium, 3 pulls- Low, and 4 pulls- Off.

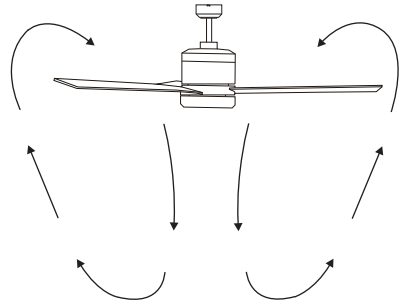
Speed settings for warm or cool weather depend on factors such as the room size, ceiling height, number of fans, and so on.

The slide switch controls directions: forward (switch down) or reverse (switch up).

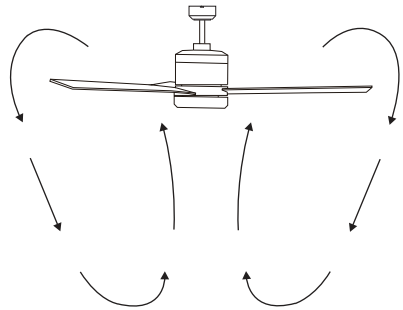
**NOTE:** Wait for fan to stop before changing the setting of the slide switch.

Warm weather - (Forward) A downward airflow creates a cooling effect as shown in Fig. 18. This allows you to set your air conditioner on a warmer setting without affecting your comfort.

Cool weather - (Reverse) An upward airflow moves warm air off the ceiling area as shown in Fig. 19. This allows you to set your heating unit on a cooler setting without affecting your comfort.



**Fig.18**



**Fig.19**

## 13.CARE OF YOUR FAN

Here are some suggestions to help you maintain your fan

1. Because of the fan's natural movement, some connections may become loose. Check the support connections, brackets, and blade attachments twice a year. Make sure they are secure. (It is not necessary to remove fan from ceiling.)
2. Clean your fan periodically to help maintain its new appearance over the years. Use only a soft brush or lint-free cloth to avoid scratching the finish. The plating is sealed with a lacquer to minimize discoloration or tarnishing. Do not use water when cleaning. This could damage the motor, or the wood, or possibly cause an electrical shock.
3. You can apply a light coat of furniture polish to the wood blades for additional protection and enhanced beauty. Cover small scratches with a light application of shoe polish.
4. There is no need to oil your fan. The motor has permanently lubricated bearings.

**IMPORTANT:** MAKE SURE THE POWER IS OFF AT THE ELECTRICAL PANEL BOX BEFORE YOU ATTEMPT ANY REPAIRS. REFER TO THE SECTION "MAKING ELECTRICAL CONNECTIONS".

## 14.TROUBLESHOOTING

Problem	Solution
---------	----------

- |                     |   |
|---------------------|---|
| Fan will not start. | <ol style="list-style-type: none"><li>1. Check circuit fuses or breakers.</li><li>2. Check line wire connections to the fan and switch wire connections in the switch housing. <b>CAUTION:</b> Make sure main power is off.</li></ol>   |
| Fan sounds noisy.   | <ol style="list-style-type: none"><li>1. Make sure all motor housing screws are snug.</li><li>2. Make sure the screws that attach the fan blade bracket to the motor hub is tight.</li><li>3. Make sure wire nut connections are not rubbing against each other or the interior wall of the switch housing. <b>CAUTION:</b> Make sure main power is off.</li><li>4. Allow a 24-hour "breaking-in" period. Most noise associated with a new fan disappear during this time.</li><li>5. If using an optional light kit, make sure the screws securing the glassware are tight. Check that light bulb is also secure.</li><li>6. Some fan motors are sensitive to signals from solid-state variable speed controls. If you have installed this type of control, choose and install another type of control.</li><li>7. Make sure the upper canopy is a short distance from the ceiling. It should not touch the ceiling.</li></ol>             |
| Fan wobble.         | <ol style="list-style-type: none"><li>1. Check that all blade and blade arm screws are secure.</li><li>2. Most fan wobbling problems are caused when blade levels are unequal. Check this level by selecting a point on the ceiling above the tip of one of the blades. Measure this distance. Rotate the fan until the next blade is positioned for measurement. Repeat for each blade. The distance deviation should be equal within 1/8".</li><li>3. Use the enclosed Blade Balancing Kit if the blade wobble is still noticeable.</li><li>4. If the blade wobble is still noticeable, interchanging two adjacent (side by side) blades can redistribute the weight and possibly result in smoother operation.</li></ol> <p><b>WARNING:</b> TO REDUCE THE RISK OF PERSONAL INJURY, DO NOT BEND THE BLADE ARM WHILE INSTALLING, BALANCING THE BLADES, OR CLEANING THE FAN. DO NOT INSERT FOREIGN OBJECTS BETWEEN ROTATING FAN BLADES.</p> |