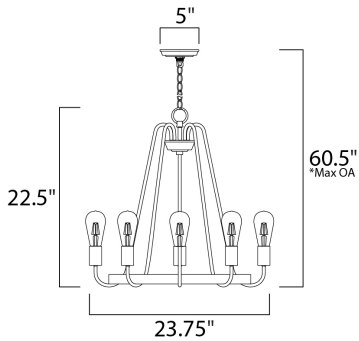




**PRODUCT DESCRIPTION**

Arms that gracefully descend from a collector cradle a round metal band that can be removed for a minimalistic look. Available in two finish combinations: Black with Satin Nickel Accents and Oil Rubbed Bronze with Antique Brass accents.



\*max overall height

**MEASUREMENTS**

- DIMENSION : 23.75" L x 23.75" W x 22.5" H
- MAX OAH : 60.5" OAH
- CANOPY : 5" W x 0.75" H
- HANGING WEIGHT : 6.88 lb
- WIRE LENGTH : 120"

**LAMPING**

- INPUT VOLTAGE : 120V
- BULB : 5 x 60W Incandescent E26 Medium , 300W Total
- BULB INCLUDED : (Not Included)
- DIMMABLE : Yes

**FINISHES OPTION**

- Black / Satin Nickel (BKSN)
- Oil Rubbed Bronze / Antique Brass (OIAB)

**MATERIAL**

Steel

**RATINGS**

cETLus  
Dry Location



**ADDITIONAL**

OPERATING TEMPERATURE:  
-20°C (-4°F), 40°C (104°F)

Always consult a qualified electrician before installing any lighting product.



WESTERN DISTRIBUTION CENTER (HEADQUARTER)  
253 NORTH VINELAND AVE | CITY OF INDUSTRY, CA 91746

EASTERN DISTRIBUTION CENTER  
101 GARDNER PARK | PEACHTREE CITY, GA 30269

P. 626.956.4200 | F. 626.956.4225 | maximlighting.com