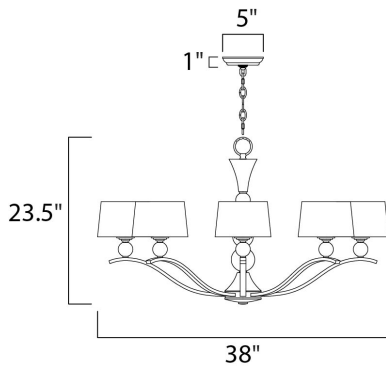




PRODUCT DESCRIPTION

Exemplary transitional styling, the Rondo collection takes a classic shaded design and updates it with contemporary finishes and delightful glass orb details. The sharpness of the Polished Nickel frame is softened with the use of round crystal glass balls. The White hardback fabric shades are fit with frosted diffusers so the light is even and soft while concealing the bulb.



MEASUREMENTS

DIMENSION : 38.75" L x 38.75" W x 23.5" H
 MAX OAH : 98" OAH
 CANOPY : 5" W x 1" H x 5" L
 HANGING WEIGHT : 17.72 lb

LAMPING

INPUT VOLTAGE : 120V
 BULB : 8 x 60W Incandescent E12 Candelabra , 480W Total
 BULB INCLUDED : (Not Included)
 DIMMABLE : Yes

FINISHES OPTION

 Polished Nickel (PN)

GLASS

White WT

MATERIAL

Steel, Fabric, Glass, Acrylic

RATINGS

cULus
 Dry Location



ADDITIONAL

ADJUSTABLE
 OPERATING TEMPERATURE:
 -20°C (-4°F), 40°C (104°F)

Always consult a qualified electrician before installing any lighting product.



WESTERN DISTRIBUTION CENTER (HEADQUARTER)
 253 NORTH VINELAND AVE | CITY OF INDUSTRY, CA 91746

EASTERN DISTRIBUTION CENTER
 101 GARDNER PARK | PEACHTREE CITY, GA 30269

P. 626.956.4200 | F. 626.956.4225 | maxilighting.com