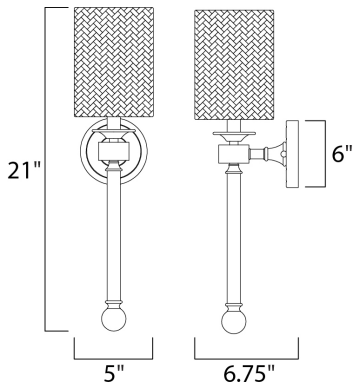




PRODUCT DESCRIPTION

Unique and dramatic pendants are created using solid, Clear glass rods that fit into castings finished in Polished Nickel or Heritage Brass. The elongated forms are great for foyer spaces and stairways, while the sconces provide a chic accent to the space they are installed. Combining contemporary sleekness with classic styling, this collection complements a wide range of decor styles.





MEASUREMENTS

DIMENSION : 5" W x 21" H x 6.75" Ext
 MAX OAH : 6" W x 6" H
 HANGING WEIGHT : 2.68 lb

LAMPING

INPUT VOLTAGE : 120V
 BULB : 1 x 60W Incandescent E12 Candelabra , 60W Total
 BULB INCLUDED : (Not Included)
 DIMMABLE : Yes

FINISHES OPTION

-  Heritage (HR)
-  Polished Nickel (PN)

GLASS

Clear CL

MATERIAL

Steel, Glass

RATINGS

cETLus
 Damp Location



ADDITIONAL

INSTALL UP/DOWN: Up
 OPERATING TEMPERATURE:
 -20°C (-4°F), 40°C (104°F)

Always consult a qualified electrician before installing any lighting product.



WESTERN DISTRIBUTION CENTER (HEADQUARTER)
 253 NORTH VINELAND AVE | CITY OF INDUSTRY, CA 91746

EASTERN DISTRIBUTION CENTER
 101 GARDNER PARK | PEACHTREE CITY, GA 30269

P. 626.956.4200 | F. 626.956.4225 | maximlighting.com