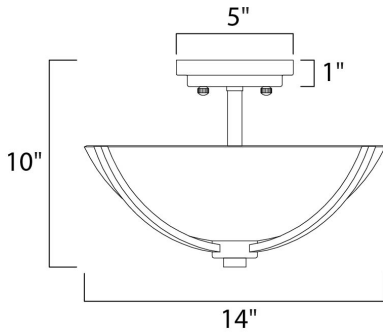




**PRODUCT DESCRIPTION**

Low sloping arms of rectilinear tubing is finished in a variety of options that include Satin Nickel, Oil Rubbed Bronze, Matte Black, and a contemporary Satin Brass finish. Tall, cylindrical Satin White glass shades soften the light source within. Offered in a variety of configurations that include chandeliers, sconces, and a semi-flush pendant that may be used as a foyer pendant, has become a proven popular choice among builders.



**MEASUREMENTS**

DIMENSION : 14" L x 14" W x 10" H  
 HANGING WEIGHT : 3.63 lb

**LAMPING**

INPUT VOLTAGE : 120V  
 BULB : 3 x 60W Incandescent E26 Medium , 180W Total  
 BULB INCLUDED : (Not Included)  
 DIMMABLE : Yes

**FINISHES OPTION**

-  Black (BK)
-  Oil Rubbed Bronze (OI)
-  Satin Brass (SBR)
-  Satin Nickel (SN)

**GLASS**

Satin White SW

**MATERIAL**

Steel, Glass

**RATINGS**

cETLus  
 Dry Location



**ADDITIONAL**

OPERATING TEMPERATURE:  
 -20°C (-4°F), 40°C (104°F)

Always consult a qualified electrician before installing any lighting product.



WESTERN DISTRIBUTION CENTER (HEADQUARTER)  
 253 NORTH VINELAND AVE | CITY OF INDUSTRY, CA 91746

EASTERN DISTRIBUTION CENTER  
 101 GARDNER PARK | PEACHTREE CITY, GA 30269

P. 626.956.4200 | F. 626.956.4225 | maximlighting.com