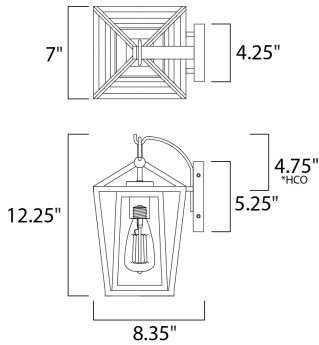




**PRODUCT DESCRIPTION**

This frame inside a frame design is the perfect update to this classically inspired outdoor lantern. Durable stainless steel construction is finished in Black and supports an inner frame of Clear panels of glass for a crisp and clean appearance.



\*height from center of outlet to the top of the fixture

**MEASUREMENTS**

- DIMENSION : 7" W x 12.25" H x 8.35" Ext
- BACK PLATE : 4.25" W x 5.25" H x 4.75" HCO
- HANGING WEIGHT : 4.4 lb

**LAMPING**

- INPUT VOLTAGE : 120V
- BULB : 1 x 60W Incandescent E26 Medium , 60W Total
- BULB INCLUDED : (Not Included)
- DIMMABLE : Yes
- LIGHTING\_DIRECTION : Down

**FINISHES OPTION**

- Black (BK)

**GLASS**

Clear CL

**MATERIAL**

Stainless Steel

**RATINGS**

cETLus  
Wet Location



**ADDITIONAL**

OPERATING TEMPERATURE:  
-20°C (-4°F), 40°C (104°F)

Always consult a qualified electrician before installing any lighting product.



WESTERN DISTRIBUTION CENTER (HEADQUARTER)  
253 NORTH VINELAND AVE | CITY OF INDUSTRY, CA 91746

EASTERN DISTRIBUTION CENTER  
101 GARDNER PARK | PEACHTREE CITY, GA 30269

P. 626.956.4200 | F. 626.956.4225 | maximlighting.com