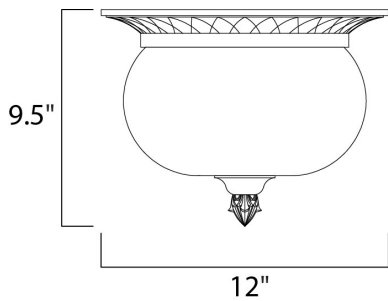




PRODUCT DESCRIPTION

Carriage House DC is a traditional, early American style collection from Maxim Lighting International in Oriental Bronze finish with Water Glass glass.




MEASUREMENTS

DIMENSION : 12" L x 12" W x 9.5" H
 HANGING WEIGHT : 4.84 lb

LAMPING

INPUT VOLTAGE : 120V
 BULB : 2 x 40W Incandescent E12 Candelabra , 80W Total
 BULB INCLUDED : (Not Included)
 DIMMABLE : Yes

FINISHES OPTION

 Oriental Bronze (OB)

GLASS

Water Glass WG

MATERIAL

Die Cast Aluminum, Glass

RATINGS

cETLus
 Damp Location



ADDITIONAL

OPERATING TEMPERATURE:
 -20°C (-4°F), 40°C (104°F)

Always consult a qualified electrician before installing any lighting product.



WESTERN DISTRIBUTION CENTER (HEADQUARTER)
 253 NORTH VINELAND AVE | CITY OF INDUSTRY, CA 91746

EASTERN DISTRIBUTION CENTER
 101 GARDNER PARK | PEACHTREE CITY, GA 30269

P. 626.956.4200 | F. 626.956.4225 | maximlighting.com