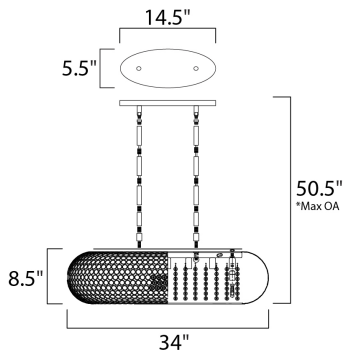




**PRODUCT DESCRIPTION**

Like a constellation that sparkles in the night, the Glimmer collection features frames of rings expertly crafted and finished in choice of Polished Silver or Bronze. The rings are adorned with hundreds of clear Beveled Crystal beads which are installed one at a time by hand to create a masterpiece of lighting illuminated by xenon lamps



\*max overall height

**MEASUREMENTS**

DIMENSION : 34" L x 14" W x 8.5" H  
 MAX OAH : 50.5" OAH  
 CANOPY : 5.5" W x 0.875" H x 14.5" L  
 HANGING WEIGHT : 16.3 lb

**LAMPING**

INPUT VOLTAGE : 120V  
 LUMENS : 8,000 Rated  
 BULB : 1 x 40W Xenon G9 , 400W Total  
 BULB INCLUDED : (Included)  
 DIMMABLE : Yes  
 COLOR\_TEMP : 2900K

**FINISHES OPTION**

-  Bronze (BZ)
-  Plated Silver (PS)

**GLASS**

Beveled Crystal BC

**MATERIAL**

Steel, K9 Crystal

**RATINGS**

cETLus  
 Dry Location



**ADDITIONAL**

SLOPE: 120  
 RATED LIFE 2000 Hours  
 OPERATING TEMPERATURE:  
 -20°C (-4°F), 40°C (104°F)

Always consult a qualified electrician before installing any lighting product.



WESTERN DISTRIBUTION CENTER (HEADQUARTER)  
 253 NORTH VINELAND AVE | CITY OF INDUSTRY, CA 91746

EASTERN DISTRIBUTION CENTER  
 101 GARDNER PARK | PEACHTREE CITY, GA 30269

P. 626.956.4200 | F. 626.956.4225 | maximlighting.com