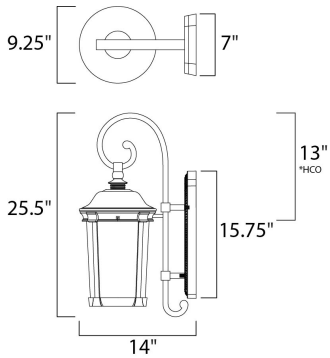




PRODUCT DESCRIPTION



MEASUREMENTS


DIMENSION : 9.25" W x 25.5" H x 14" Ext
 BACK PLATE : 7" W x 15.75" H x 13" HCO
 HANGING WEIGHT : 8.8 lb

LAMPING

INPUT VOLTAGE : 120V
 LUMENS : 840 Rated
 BULB : 1 x 12W LED PCB Integrated , 12W Total
 BULB INCLUDED : (Integrated)
 DIMMABLE : Triac CL
 CRI : 80+ CRI

*height from center of outlet to the top of the fixture

FINISHES OPTION

 Bronze (BZ)

GLASS

Seedy CD

MATERIAL

Aluminum

RATINGS

cETLus
 Wet Location
 DARKSKY



ADDITIONAL

OPERATING TEMPERATURE:
 -20°C (-4°F), 40°C (104°F)

PHOTOMETRIC: Report Found Online

Always consult a qualified electrician before installing any lighting product.



WESTERN DISTRIBUTION CENTER (HEADQUARTER)
 253 NORTH VINELAND AVE | CITY OF INDUSTRY, CA 91746

EASTERN DISTRIBUTION CENTER
 101 GARDNER PARK | PEACHTREE CITY, GA 30269

P. 626.956.4200 | F. 626.956.4225 | maximlighting.com