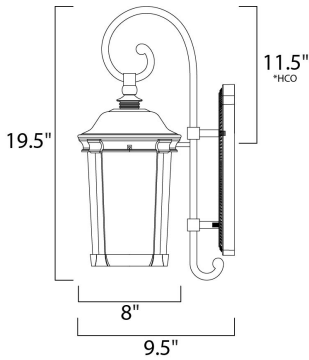




PRODUCT DESCRIPTION



*height from center of outlet to the top of the fixture

MEASUREMENTS

- DIMENSION : 8" W x 19.5" H x 9.5" Ext
- BACK PLATE : 5" W x 10.5" H x 11.5" HCO
- HANGING WEIGHT : 4.82 lb

LAMPING

- INPUT VOLTAGE : 120V
- LUMENS : 900 Rated (650 Del.)
- BULB : 1 x 9W LED E26 Medium , 9W Total
- BULB INCLUDED : (Included)
- DIMMABLE :
- CRI : 90+ CRI
- COLOR_TEMP : 3000K

FINISHES OPTION

- Bronze (BZ)

GLASS

Frosted Seedy FS

MATERIAL

Die Cast Aluminum, Glass

RATINGS

cETLus
Wet Location



ADDITIONAL

RATED LIFE 25000 Hours
OPERATING TEMPERATURE:
-20°C (-4°F), 40°C (104°F)

PHOTOMETRIC: Report Found Online

Always consult a qualified electrician before installing any lighting product.



WESTERN DISTRIBUTION CENTER (HEADQUARTER)
253 NORTH VINELAND AVE | CITY OF INDUSTRY, CA 91746

EASTERN DISTRIBUTION CENTER
101 GARDNER PARK | PEACHTREE CITY, GA 30269

P. 626.956.4200 | F. 626.956.4225 | maximlighting.com