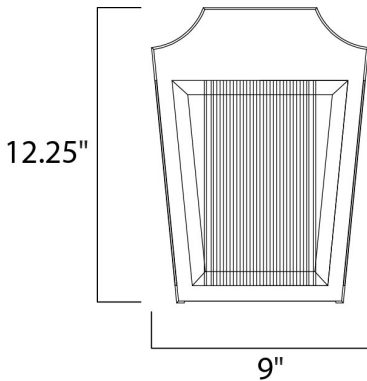




PRODUCT DESCRIPTION

A ribbed glass diffuser glows in the night as it is illuminated by an energy efficient LED light source concealed in the hood. Available in two finish combinations Adobe with Topaz Ribbed and Anthracite with Clear Ribbed diffusers.



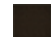

MEASUREMENTS

DIMENSION : 9" W x 12.25" H x 4.75" Ext
 BACK PLATE : 8.75" W x 12" H x 6" HCO
 HANGING WEIGHT : 8 lb

LAMPING

INPUT VOLTAGE : 120V
 LUMENS : 560 Rated
 BULB : 1 x 7W LED PCB Integrated , 7W Total
 BULB INCLUDED : (Integrated)
 DIMMABLE : Triac CL
 CRI : 80+ CRI
 COLOR_TEMP : 3000K

FINISHES OPTION

-  Adobe (AE)
-  Anthracite (AR)

GLASS

Clear and Topaz Ribbed CLTR

MATERIAL

Die Cast Aluminum

RATINGS

Wet Location



ADDITIONAL

OPERATING TEMPERATURE:
 -20°C (-4°F), 40°C (104°F)

Always consult a qualified electrician before installing any lighting product.



WESTERN DISTRIBUTION CENTER (HEADQUARTER)
 253 NORTH VINELAND AVE | CITY OF INDUSTRY, CA 91746

EASTERN DISTRIBUTION CENTER
 101 GARDNER PARK | PEACHTREE CITY, GA 30269

P. 626.956.4200 | F. 626.956.4225 | maximlighting.com